



# CONSTRUCTION

## Road Rehabilitation



# Road Rehabilitation

At Kennametal, our commitment to your most demanding road rehabilitation applications is unparalleled. We have a long history of helping you achieve success and a tradition of exceeding your expectations.

We remain focused on redefining and advancing the earthworks industries through our world-class solutions — delivered by professionals who are committed to the health and profitability of your enterprise.

**MISSION** Kennametal delivers productivity to customers seeking peak performance in demanding environments by providing innovative custom and standard wear-resistant solutions, enabled through our advanced materials sciences, application knowledge, and commitment to a sustainable environment.





## Table of Contents

Road Rehabilitation Overview.....	2–19
Road Rehabilitation Conicals.....	20–40
Soil Stabilization Conicals .....	42–45
Soil Stabilization Tooling .....	46–48
Toolholder Systems.....	50–73
Accessories .....	74–81
Planer Blades .....	82–90
Road Ready Drum and Machine Components .....	92–118
Wear Solutions.....	120–125
Index by Order Number .....	126
Index by Catalog Number.....	127



The foundation for a successful road rehabilitation operation is built on rock-steady reliability and progress. Kennametal, the world's leading tooling and services provider, proudly introduces SOLID, our solution-focused platform that yields new levels of performance and productivity. SOLID-engineered tools deliver in the most challenging conditions. For unmatched quality, value, innovation, and application expertise, make Kennametal your SOLID choice.

# Safety and Environment

Kennametal's goal of 100% safe extends far beyond our global operations to reach customers at their work sites, encouraging a community that values the implementation of safety procedures.

Kennametal ensures safety compliance by thoroughly testing and inspecting products and confirming that vehicles are appropriately equipped with safety equipment. Safety training is readily available to employees and customers alike. Whether in the office or at a customer's site, our employees drive a culture of 100% safe.



THE CHALLENGE Offer a Variety of Tool Designs for Demanding Environments

THE RESULT

A road milling contractor in Midwestern USA was milling off an extremely hard and abrasive asphalt aggregate — consuming almost 100 teeth per hour, and causing excessive wear to tooth holders. Kennametal not only secured extra teeth for the company but also sent several tool designs to test along with a field representative for hands-on support. Kennametal's RoadRazor tool in particular outshone the others almost two to one in extremely demanding conditions.



We protect our planet with a commitment to reduce the global impact Kennametal and our customers have on the environment — establishing effective sustainability practices and policies within the mining industry.

Helping customers meet their overall goals is clearly an objective of Kennametal's sustainability program. We focus on products that provide customers with lower fuel costs, reduced packaging requirements, lower transportation costs, and improved product performance. Kennametal continues to evaluate improved packaging materials — such as biodegradable options. By helping customers address their need to become more efficient, we make ourselves more sustainable.

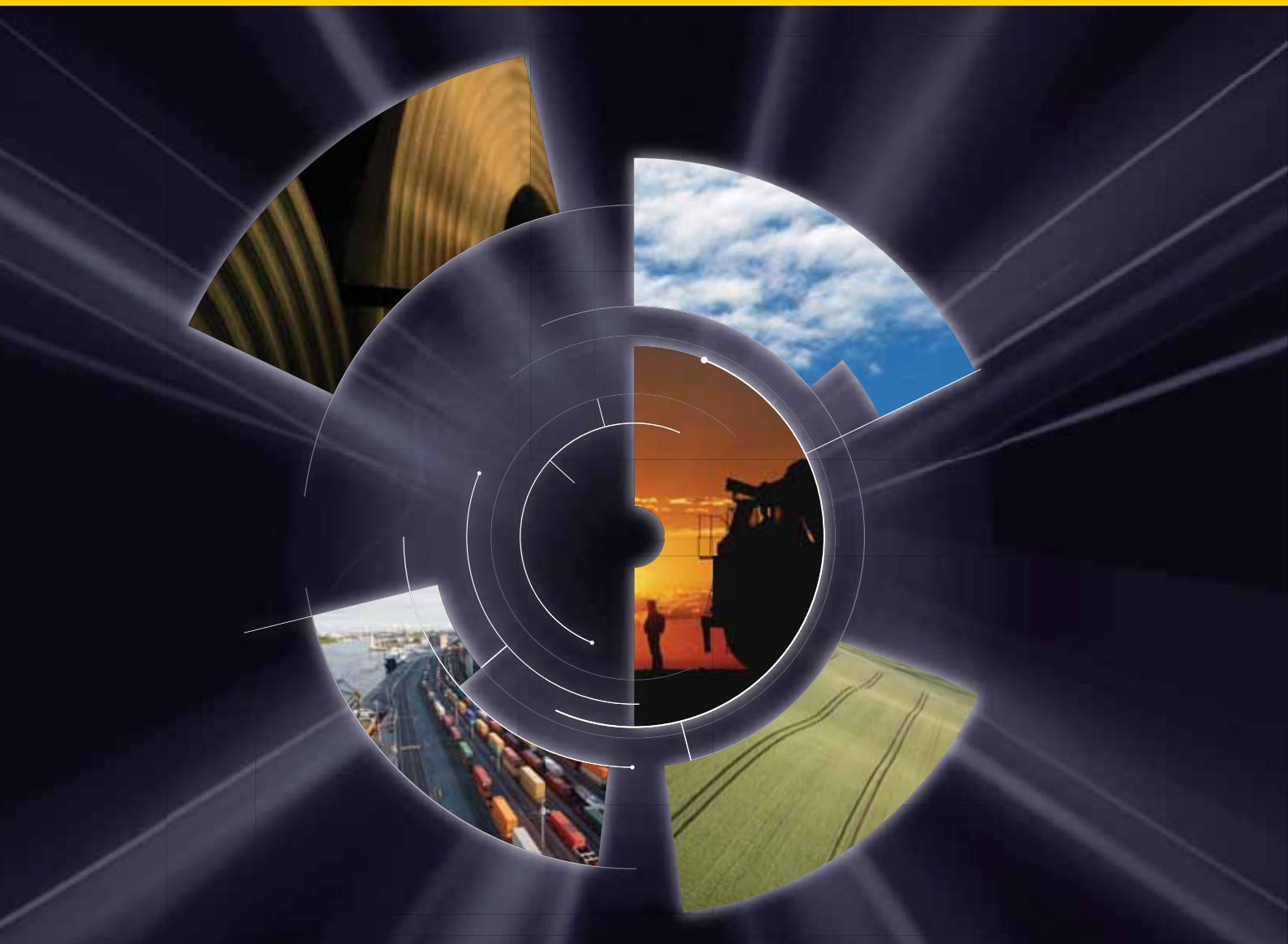
#### THE CHALLENGE Superior Tool Design

#### THE RESULT



An innovator in road recycling recently purchased 20 skids of Kennametal's new RoadRazor ECO™ tool RX04-01, as the majority of the company's crews demanded the tools onsite. With a better road pattern, less vibration on machine, and longer tool life, the company's equipment managers assert that RoadRazor ECO™ is a far superior tool than others in their arsenal.





## EARTHWORKS

Underground Mining  
Surface Mining  
Construction

## TRANSPORTATION

Automotive  
Shipbuilding  
Railroad  
Heavy Vehicles

## AEROSPACE & DEFENSE

Aerostructure  
Aeroengines  
Defense Applications

## GENERAL ENGINEERING

Consumer/Household Goods  
Industrial Goods  
Medical  
Tool, Die & Mold

## ENERGY

Oil & Gas  
Power Generation  
Chemical  
Plastics



Formulating the future, then shaping it. That's **Different Thinking.**

**METALCUTTING CAPABILITIES** For more than 70 years, our operational excellence has made Kennametal a powerful global leader in the design and manufacture of engineered components, advanced materials, and cutting tools used in the most demanding environments on earth.

Turning | Threading | Grooving | Cut-Off | Indexable Milling

Solid End Milling | Holmaking | Hole Finishing | Tapping | Tooling Systems

# Earth Cutting Tools — Product Highlights

With leading-edge products from Road Rehabilitation conicals to custom-fabricated cutter drums, we keep high-value equipment running longer and performing better in demanding environments.

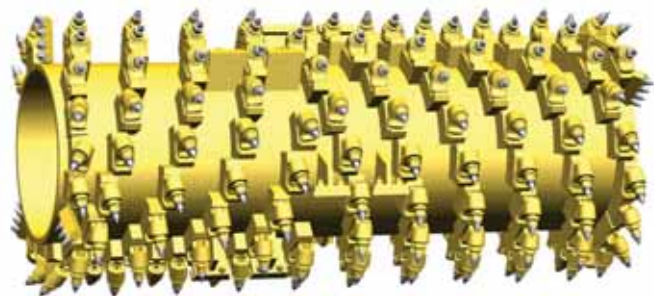


## RoadRazor ECO™ Pro

- Unique body shape with maximum hardness throughout the entire head area, makes cutting easier and is less resistant to extreme wear and friction.
- Proprietary nonagon shaped washer is 20% thicker, extending the life of the tool and the holder.
- Machines absorb less abuse and can consume less fuel.

## Drums and Block Systems

- Exceptional performance milling drums (standard, profile, micro, or custom design).
- Rebuild Program available.
- Specially hardened, wear-resistant, easy to install and change block systems.





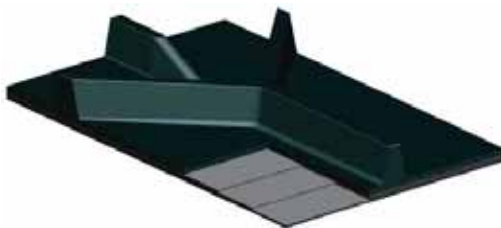


## Soil Stabilization SZ Series

- Higher body hardness including collar for maximum wear resistance.
- Wide collar offers superior holder protection.
- Various tip designs available to match your specific application.
- Improved retainer for maximum retention and holder protection.

## Conveyor Rollers

- Garland and flat return rollers.
- Extra long design reduces gaps between center and wing rolls, ensuring better belt tracking and maintenance.
- Lightweight, durable, and economical.



## Conveyor Belts

- High abrasion resistance.
- High cleats for maximum capacity.
- Cleat and upper layer manufactured in one process step for maximum reliability.

# Wear and Tooling Solutions for Your Earthworks Equipment

The Kennametal Earthworks segment serves top-tier companies across varied applications: highway construction, underground mining, surface mining, quarrying, utility construction, tunneling, recycling, forestry, agriculture, and snow removal. With our superior custom and standard cutting and wear-resistant solutions, we help our clients build and maintain best-in-class operations.

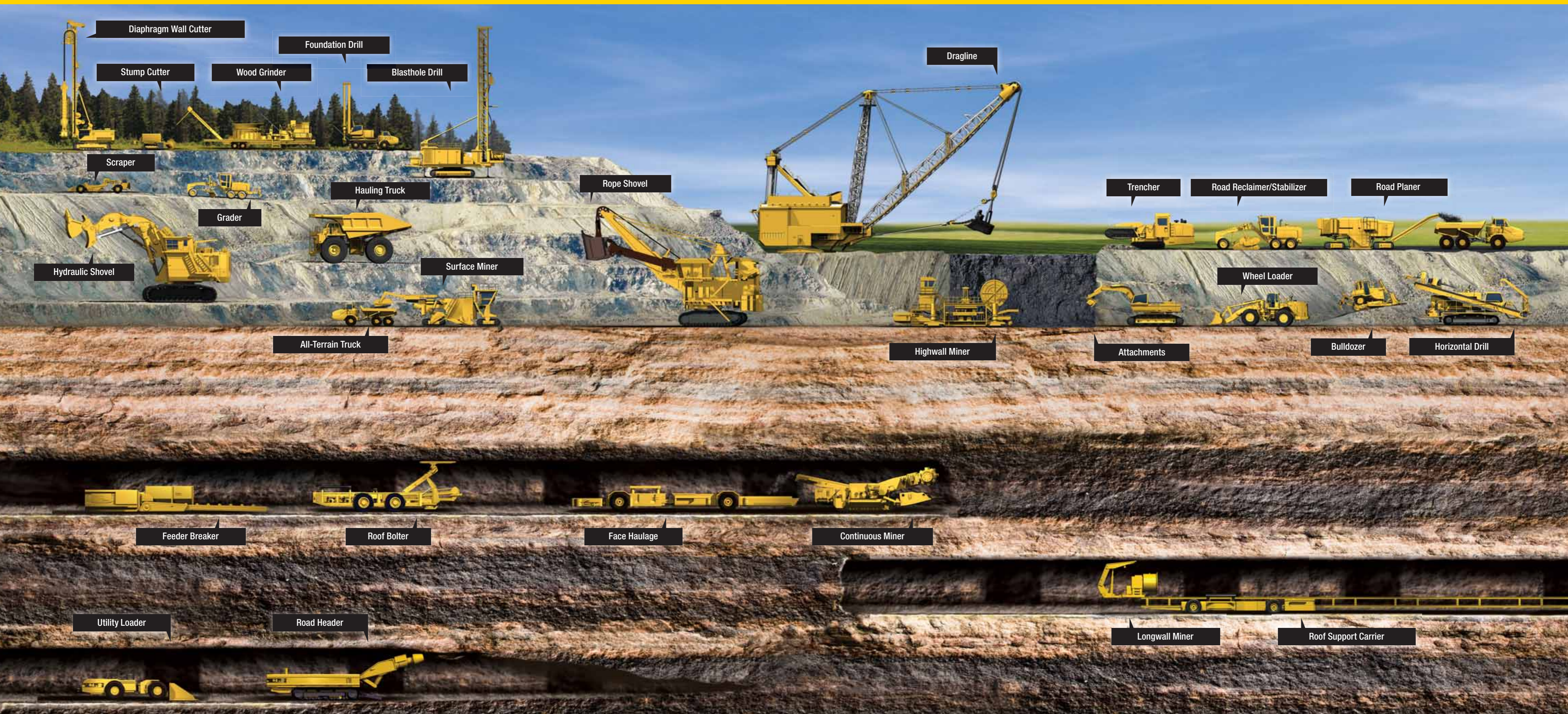
With leading-edge products from roadmilling and soil stabilization conicals to complete custom fabricated cutter drums, we keep high-value equipment running longer and performing better in demanding environments.

- Road Planer
- Road Reclaimer/Stabilizer
- Attachments
- Bulldozer








# FOR THE MOST DEMANDING APPLICATIONS

To learn more about our wear and tooling solutions for the earthworks industry, contact your Kennametal Representative or Authorized Kennametal Distributor today.









## Underground Mining

					
	Conicals	Crushers	Radials	Cutting Systems	Drums
Longwall Miner	•		•	•	•
Continuous Miner	•		•	•	•
Highwall Miner	•		•	•	•
Road Header	•			•	•
Roof Bolter					
Feeder Breaker		•			
Face Haulage					
Utility Loader					

						
	CLAs	Core Breakers	Roof Drill Bits	Augers and Drilling Systems	Wear Solutions	Accessories

Longwall Miner					•	•
Continuous Miner	•	•			•	•
Highwall Miner	•	•			•	•
Road Header						
Roof Bolter			•	•		•
Feeder Breaker					•	
Face Haulage					•	
Utility Loader					•	

## Road Rehabilitation

						
	Conicals	Flat Teeth	Cutting Systems	Drums	Accessories	Planer Blades
Road Planer	•		•	•	•	•
Road Reclaimer/Stabilizer	•	•		•	•	•
Attachments	•			•		•
Bulldozer						






						
	Kicker Plates	Track Pads	Conveyor Rollers	Conveyor Belts	Power Belts	Wear Solutions

Road Planer	•	•	•	•	•	•
Road Reclaimer/Stabilizer	•	•	•	•	•	•
Attachments	•					•
Bulldozer						•







## Trenching

				
	Conicals	Cutting Systems	Wear Solutions	Accessories
Trencher	•	•	•	•





## Forestry

					
	Conicals	Cutting Systems	Flat Teeth	Grinder Tips	Accessories
Stump Cutter	•	•	•		•
Wood Grinder				•	•


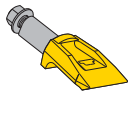







## Surface Mining



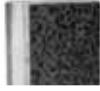
						
	Conicals	Cutting Systems	Drums	Compacts	Wear Solutions	Accessories
Surface Miner	•	•	•		•	•
Blasthole Drill				•		
Grader	•	•			•	
All-Terrain Truck					•	
Bulldozer					•	
Dragline					•	
Hauling Truck					•	
Hydraulic Shovel					•	
Rope Shovel					•	
Scraper					•	
Skid Steer Attachment	•	•	•		•	•
Wheel Loader					•	

## Foundation Drilling

								
	Auger Pilot Bits	Conicals	Core Barrel	Cutting Systems	Wall Cutters	Wear Solutions	Accessories	Compact
Foundation Drill	•	•	•	•	•	•	•	
Diaphragm Wall Cutter					•			
Horizontal drill								•

## Quick Reference Guide — Wear and Tooling Solutions for your Earthworks equipment

		 Conicals	 Flat Teeth	 Cutting Systems	 Drums	 Accessories	
	Page Numbers	8–45	46–48	50–73	16	74–81	
	Road Planer	•		•	•	•	
	Road Reclaimer/Stabilizer	•	•	•	•	•	
	Attachments	•		•	•	•	
	Bulldozer						

	 Planer Blades	 Kicker Plates	 Track Pads	 Conveyor Rollers	 Conveyor Belts	 Power Belts	 Wear Solutions
	82-88	92-94	96-111	112-113	114-115	116-118	120-125
	•	•	•	•	•	•	•
		•	•	•	•	•	•
							•
							•

# Productivity Tips

Learn the most effective tips for tool selection, maintenance, and wear progression to increase productivity and ensure the highest return on investment.

## Safety

---

### Safely Installing and Removing Kennametal Tools

Follow all approved safety procedures. Wear all approved personal protective equipment, including safety goggles or a face shield.

To avoid personal injury or damage to the Kennametal tool, please follow the following instructions:

- To avoid breaking the carbide tip, use a soft hammer (copper), rubber mallet, or air hammer installation tool to install the tool.
- Make sure the tool is properly seated and securely retained before entering the cut. **DO NOT** strike the tool after it is properly seated in toolholder. This could damage the carbide tip or retaining system.
- Inspect the tools before each use. If the tools are dull, bent, cracked, burred, or showing signs of excessive steel wear, **DO NOT** use them and replace immediately.
- When removing the tools, exercise care in handling the tools as the tools may be hot after use.
- When removing the tools, use appropriate bit puller, hand punch, air hammer punch, or air hammer chisel to extract the tool from the toolholder.





## Maintenance

### What to Look for While Maintaining:

- **Tools**

A conical tool performs best when the steel body and carbide tip are worn out at the same time. If the tool shows signs of excessive steel wear, carbide wear, or fracturing, this will have a negative effect on your tool and machine performance and the tool should be replaced immediately.

- **Retainers/Sleeves**

A conical tool performs best with a combination of ridge support and freedom of rotation. Loose/worn sleeves and excess material build up on the tool will have a negative effect on the tool performance that could result in carbide flat spotting or fracturing.

- **Blocks**

Blocks are more stationary than retainers and are not easily replaced. Identify unusual wear on the sides and the bore of the block and replace if necessary.

- **Conveyor Belts**

Conveyor belt condition is very important. If the belt is worn out, the milled material will not be removed from the cutter box and will create a “Sand Blaster” with the abrasive, milled material prematurely wearing out the steel body of the tool.

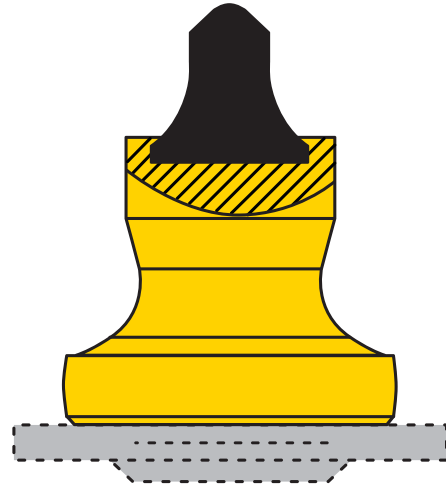
- **Track Pads**

Track pads push the milling machine and drum into the cut and if the track pads are worn and cannot create the force needed to push the milling machine and milling drum, this will have a negative effect on the entire cutting system (tools, sleeves, blocks, and milling drum) and machine performance.

## Selecting the Right Tool

When selecting a tool, consider the material to be cut as well as the machine horsepower. If you want better strength, wear, or penetration:

- Increase the carbide tip base diameter for better strength and wear resistance.
- Decrease the carbide tip base diameter for better penetration.
- Increase the carbide tip diameter for better strength and wear resistance.
- Decrease the carbide tip diameter for better penetration.
- Increase the carbide tip length (height) for better penetration and wear resistance.
- Decrease the carbide tip length (height) for better strength.



## Understand Wear Progression

By understanding proper tooling wear progression, you can maintain optimal throughput and performance. Continued use of tooling beyond its useful life cycle can have adverse affects, such as marginal productivity, catastrophic machine failure, or costly repairs. This proper wear progression can help you:

- Increase tool utilization.
- Avoid catastrophic failure.
- Maximize cutting performance.







Optimal Wear Progression

# Troubleshooting

The three categories of tool failure: abrasive wear, heat failure, and mechanical failure, each contribute to less than optimal tool performance. Wear and deterioration can be observed through cracking, crater wear, chipping, deformation, or fracture.

The chart below shows typical end-of-life tool problems, possible causes, as well as proposed solutions.

Problem	Possible Cause	Solution
 <b>Poor Rotation</b>	Worn toolholders	Replace worn holders
	Excess material build-up on tool	Increase water flow to drum
	Holders not properly aligned	Remove incorrect holders and correct positioning
	Excessive machine speed	Slow down machine
	Cutting too deep	Decrease cutting depth (make 2 or more passes)
 <b>Excessive Steel Body Wear</b>	Caused by highly abrasive material	Consider using a tip design with bigger start diameter
	High rotation speed	Reduce rotation speed (if possible) Consider using a heavier body tool
	Worn belts are not removing the material	Check and replace worn belt
 <b>Extreme Carbide Tip Wear</b>	Hard material (aggregate)	Consider using a larger carbide tip tool
	Heat build-up on tool	Increase coolant (water) to the drum
	High rotation speed	Reduce rotation speed (if possible)
	Cutting too deep	Decrease cutting depth (make 2 or more passes)
 <b>Tip Fractures</b>	Extremely hard material (aggregate)	Consider using a larger carbide tip tool
	Heat build-up on tool	Increase coolant (water) to the drum
	Poor rotation	Check for worn holders, excess material build-up on tool, etc.
		Consider doing a “warm-up” cut when starting
	Excessive machine speed	Slow down machine
	Using hard objects for tool installation	Use air hammer installation tool, rubber mallet or copper hammer

# Engineered Solutions

New or rebuilt drums that simply perform better and last longer to optimize your road milling productivity and profitability.

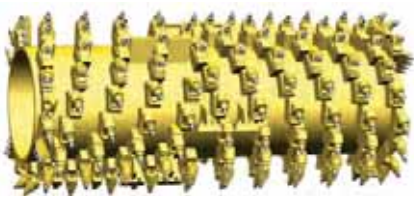
## Milling and Reclamation Drum Program

- Block systems provide proven performance.
- End rings proven to reduce wear and provide straight cut.
- Optimum road patterns and matching capabilities.
- Balanced to reduce machine vibration.
- Drum designed to meet your application needs.



## Drum Lacing Designs

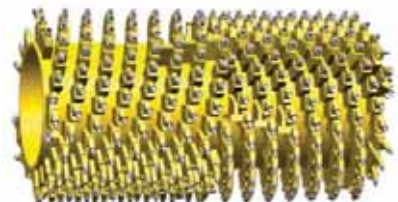
- Computer-engineered tuned drum designs with synchronized lacing.
- Provide options to view the road pattern at different speeds and RPMs before you purchase your drum.
- Software program creates and maps perfectly balanced drums.
- Ensures optimum placement of cutting tools.
- Provides maximum productivity and wear characteristics.



Standard Milling



Profile Milling



Micro Milling



Reclamation/Stabilization Milling



Specialty Drums

# KenCast™

**KenCast parts are unique because no one makes wear parts like Kennametal. These extremely durable wear-resistant parts are manufactured in our own foundry.**

Your equipment runs in abrasive conditions. Protect your investment with Kennametal KenCast composite material. It combines the exceptional wear resistance of Kennametal cemented tungsten carbide with the toughness and practicality of air-hardened steel.

Use KenCast parts on:

## Reclamation Equipment

- Pedestal protectors
- Side cleaner bars

## Road Planing Equipment

- Kicker plates
- Drag shoes
- Quick-change block-base protectors

## Trenching Equipment

- Base segment protection

## KenCast Parts Are:

- Easier to apply and tougher than brazed-on solid carbide tiles.
- Longer lasting and easier to apply than hardfacing material.
- More wear resistant than standard or AR-type steels.
- Better at protecting the carbide particles than embedded weld overlays.



# Environment

Kennametal's intimate understanding of the road construction marketplace — including customer processes and applications — allows us to proactively address production and sustainability concerns with solutions tailored to your needs. We deliver superior value because we listen closely to you, our customer, and innovate based on your feedback. Our goal is to help you be more competitive — both at home and on a global scale.



## Best Practices in Productivity

As your trusted partner for optimized production, Kennametal offers customers a unique commitment to research and development excellence, continually delivering highly innovative ways to enhance productivity. Certification to ISO 9001, QS 9000 TES, and VDA 6.4 provides the highest possible quality standards.

## Best Performance, Less Environmental impact

With technology, we can do both. Kennametal helps customers focus on the root causes of unsustainable behavior in highly complex manufacturing systems, while at the same time improving cost structure, quality, and performance.

Road Rehabilitation Icons

 <p>Pressed Contact</p>	 <p>Cutting Conditions: Abrasive</p>	 <p>Cutting Conditions: Concrete</p>
 <p>Cutting Conditions: Light</p>	 <p>Cutting Conditions: Medium</p>	 <p>Cutting Conditions: Heavy</p>
 <p>Cutting Conditions: Severe</p>	 <p>Noise Reduction</p>	 <p>X Treatment</p>
 <p>Insert Type: Plug</p>	 <p>Insert Type: Valve Seat</p>	 <p>Insert Type: Cap</p>
 <p>Fuel Efficiency</p>	 <p>Low Horsepower: &lt;100HP</p>	 <p>Medium Horsepower: 100–300HP</p>
 <p>High Horsepower: 300–1000HP</p>	 <p>Tool with Puller Groove</p>	



# Road Rehabilitation Conicals

## Table of Contents

Quick Selection Guide .....	21
RoadRazor ECO Pro.....	22–25
RoadRazor II	
RZ Series.....	26–33
RoadRazor Classic	
RC Series .....	34–36
CM Series.....	37–40



# Quick Selection Guide

This reference chart can be utilized to quickly select tooling based on machine size, collar size, or specific application. For your convenience, packaging information has also been included. Additional detail can be found on the following pages.

	Item	Order Number	Old Item Number	Collar (mm)	Puller Groove	Washer	Recommended for Machine Size/Application					Pieces per Box	Pieces per Pallet
							Asphalt			Concrete	Stabilizing		
							300mm – 600mm	1,000mm – 1,900mm	2,000mm – 2,200mm				
Road Razor ECO™	RX1-01W	5895687		41,9		•	•					50	3,000
	RX2-01W	5895688		41,9		•	•					50	3,000
	RX3-01W	5895689		41,9		•	•	•				50	3,000
	RX3-02W	5895690		41,9		•	•					50	3,000
	RX4-01W	5895941		41,9		•		•				50	3,000
	RX5-01W	5895942		41,9		•		•				50	3,000
Road Razor II™	RZ1-01P	1758414	RP18	31,8	•	•	•					50	3,000
	RZ1-01PSW	2255442	RP18SW	31,8	•	•	•					50	3,000
	RZ1-02	3779730	RZ02	41,9		•	•			•		50	3,000
	RZ2-01P	2047904	RP28	31,8	•	•	•					50	3,000
	RZ2-02P	3792222	RZ10	34,2	•	•	•					50	3,000
	RZ2-03P	3788408	RZ17.5	41,9	•	•	•					50	3,000
	RZ3-01	3098679	RZ05	34,2		•	•					50	3,000
	RZ3-01P	3098678	RZ24	34,2	•	•	•					50	3,000
	RZ3-02	3659312	RZ07	34,2		•		•				50	3,000
	RZ3-02P	3734969	RZ16	34,2	•	•		•				50	3,000
	RZ4-01	3121183	RZ19	34,2		•		•		•		50	3,000
	RZ4-02P	3121185	RZ25	34,2	•	•		•				50	3,000
	RZ4-03	3581371	RZ20T	34,2		•		•				50	3,000
	RZ4-03P	3581370	RZ20TP	34,2	•	•		•				50	3,000
	RZ4-04	3853304	RZ19T	34,2		•		•				50	3,000
	RZ5-01	3085973	RZ20	34,2		•		•				50	3,000
	RZ5-02	3362297	RZ08	34,2		•		•				50	3,000
	RZ1-PT7	4161122		34,2	•	•	•			•		50	3,000
	RZ1-PT	1781714	RP22	38,1	•	•				•		50	3,000
RZ3-PT	1825565	RP21	31,8	•	•				•		50	3,000	
Road Razor™ Classic	RC1-01P	1010865	RS12	38,1	•		•					70	2,800
	RC2-01P	1010862	C3BKBF	38,1	•		•	•				70	2,800
	RC2-02	1753351	RP01	41,9		•		•		•		50	3,000
	RC3-01	1758083	RP06	41,9		•			•	•		50	3,000
	RC3-02P	1758412	RP16	41,9	•	•			•			50	3,000
	RC4-01	1758415	RP19	41,9		•			•	•		50	3,000
	RC5-01	1758416	RP20	41,9		•			•	•		50	3,000

## RoadRazor ECO™ Pro

---

It is designed to work differently than any tool ever available in the industry. Its exclusive and sleek proprietary body shape, with maximum hardness throughout the entire head area, makes cutting easier and far less resistant to extreme wear and friction. It enables you to run **longer and faster** than ever thought possible...making it your **ECOnomically** superior choice.

Its unique and proprietary nonagon shaped washer is 20% thicker, which extends the life of the tool and the holder, giving you the Pro advantage. The nonagon design with overhanging corners also makes cutting easier by encouraging tool rotation...making it once again your **ECOnomically** superior choice.

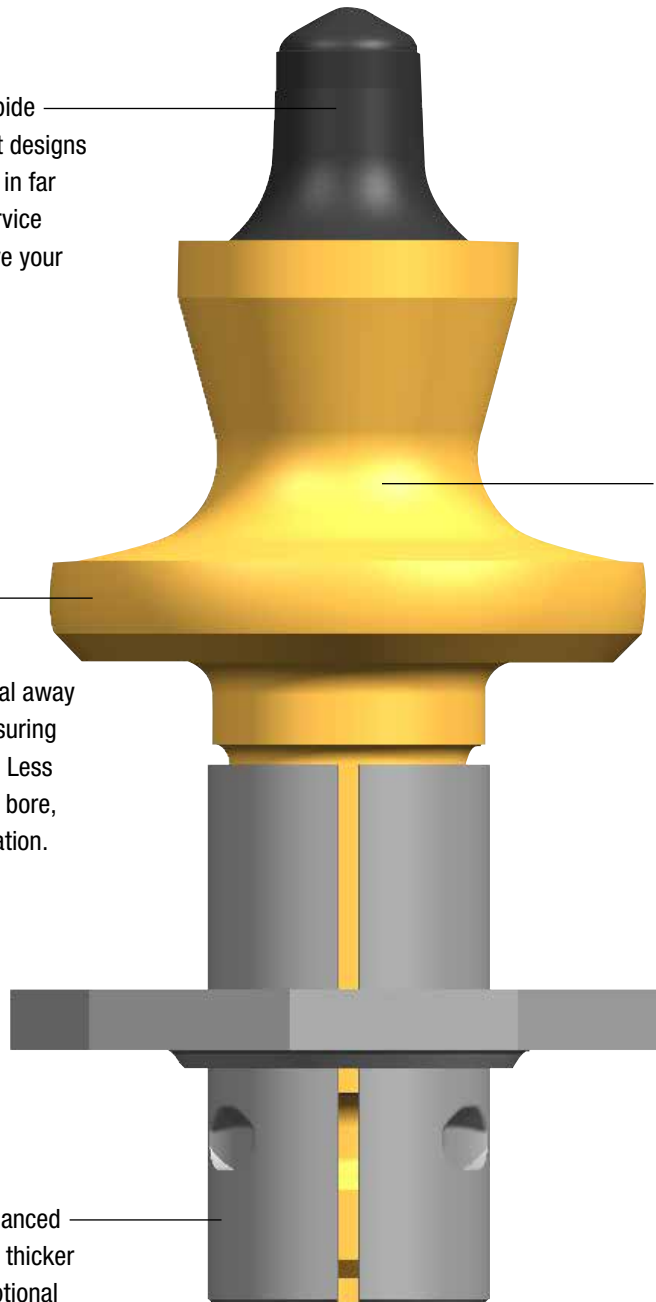
Because you can now get your work done faster, your machines absorb far less abuse and can consume **less fuel**...making it your **ECOLOGICAL** tool, too.

The wide collar leads the cut material away from the tool and holder, ensuring maximum holder protection. Less fine material comes to the bore, improving tool rotation.

### **ECO Pro delivers:**

- Lower operating costs.
- Reduced fuel consumption.
- Increased uptime and performance.
- Improved holder life.
- Improved rotation.

Now the industry's best carbide grades and proprietary point designs are even better — resulting in far less cracking and longer service life...no matter how abrasive your asphalt application.

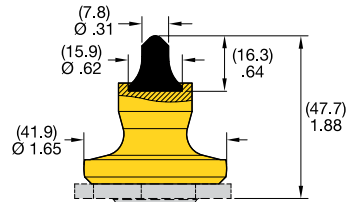


Kennametal's unequalled and revolutionary shape — with maximum and consistent head hardness — yields unparalleled performance and service...so you can go faster, go longer, AND also have the option of using less horsepower (while still improving performance), thus reducing fuel consumption and machine emissions.

Wide collar leads cut material away from the tool and holder, ensuring maximum holder protection. Less fine material comes into the bore, therefore improving tool rotation.

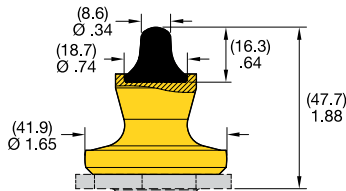
Our newly designed and enhanced retainers are now made of a thicker material that provides exceptional fit and rotation throughout the life of the tool.





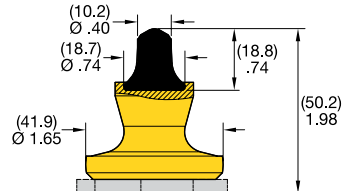
■ RoadRazor ECO™ Pro

order number	catalog number
5895687	RX1-01W



■ RoadRazor ECO Pro

order number	catalog number
5895688	RX2-01W



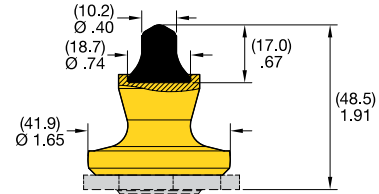
■ RoadRazor ECO Pro

order number	catalog number
5895689	RX3-01W

■ Packaging Information

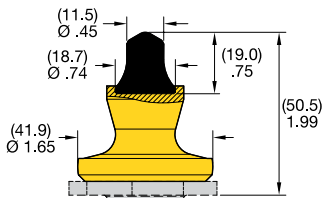
order number	catalog number	container type	pieces per container	container weight (approximate)		containers per pallet	pieces per pallet	pallet weight (approximate)	
				kg	lbs			kg	lbs
5895687	RX1-01W	box	50	16,2	35.4	60	3000	972	2124
5895688	RX2-01W	box	50	16,8	36.6	60	3000	1008	2196
5895689	RX3-01W	box	50	16,8	37.2	60	3000	1008	2232

Dimensions shown in millimeters and (inches).



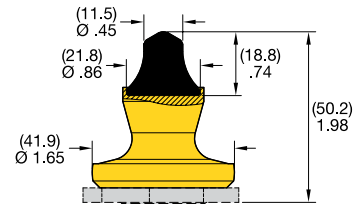
■ RoadRazor ECO™ Pro

order number	catalog number
5895690	RX3-02W



■ RoadRazor ECO Pro

order number	catalog number
5895941	RX4-01W



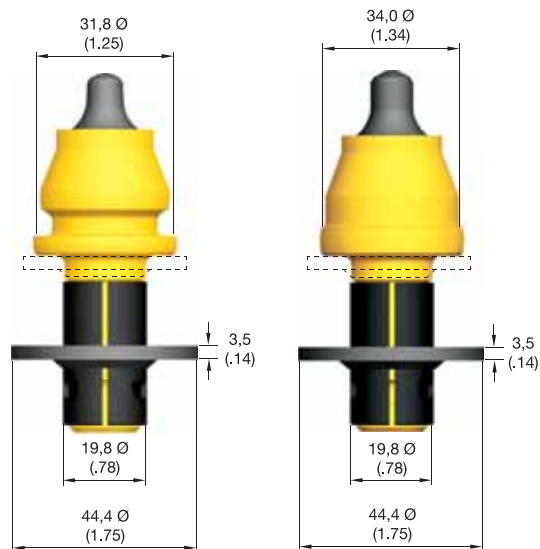
■ RoadRazor ECO Pro

order number	catalog number
5895942	RX5-01W

■ Packaging Information

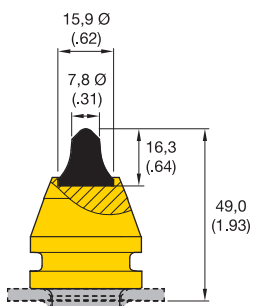
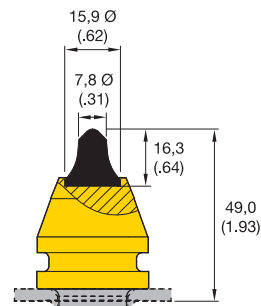
order number	catalog number	container type	pieces per container	container weight (approximate)		containers per pallet	pieces per pallet	pallet weight (approximate)	
				kg	lbs			kg	lbs
5895690	RX3-02W	box	50	16,8	37.2	60	3000	1008	2232
5895941	RX4-01W	box	50	17,4	37.8	60	3000	1044	2268
5895942	RX5-01W	box	50	17,4	39.0	60	3000	1044	2340

Dimensions shown in millimeters and (inches).



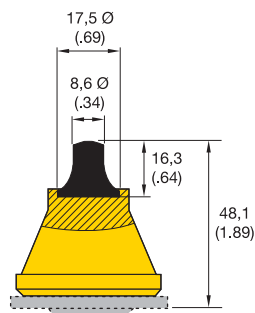
### ■ RZ1-01P

order number	catalog number
1758414	RZ1-01P



### ■ RZ1-01PSW

order number	catalog number
2255442	RZ1-01PSW



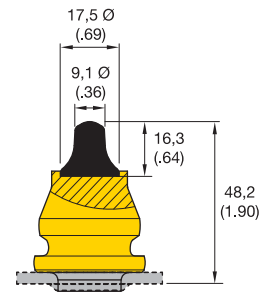
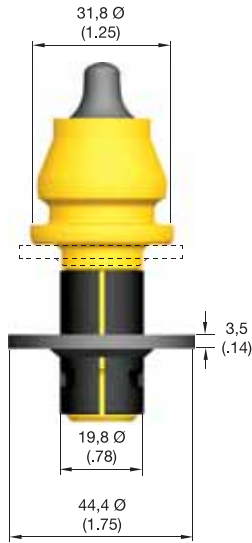
### ■ RZ1-02

order number	catalog number
3779730	RZ1-02

### ■ Packaging Information

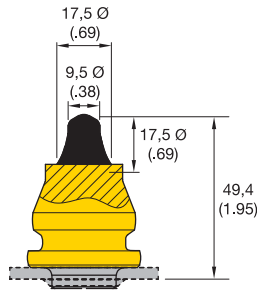
order number	catalog number	container type	pieces per container	container weight (approximate)		containers per pallet	pieces per pallet	pallet weight (approximate)	
				kg	lbs			kg	lbs
1758414	RZ1-01P	box	50	14,5	32,0	60	3000	870	1920
2255442	RZ1-01PSW	box	50	13,5	30,5	60	3000	810	1830
3779730	RZ1-02	box	50	17,5	38,0	60	3000	1050	2280

Dimensions shown in millimeters and (inches).



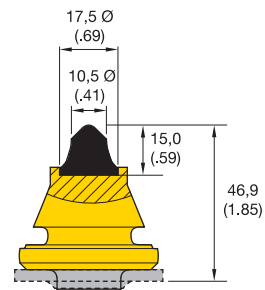
■ RZ2-01P

order number	catalog number
2047904	RZ2-01P



■ RZ2-02P

order number	catalog number
3792222	RZ2-02P



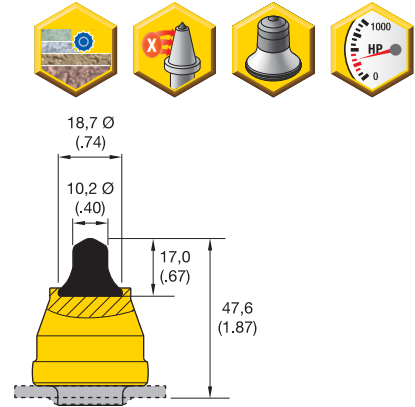
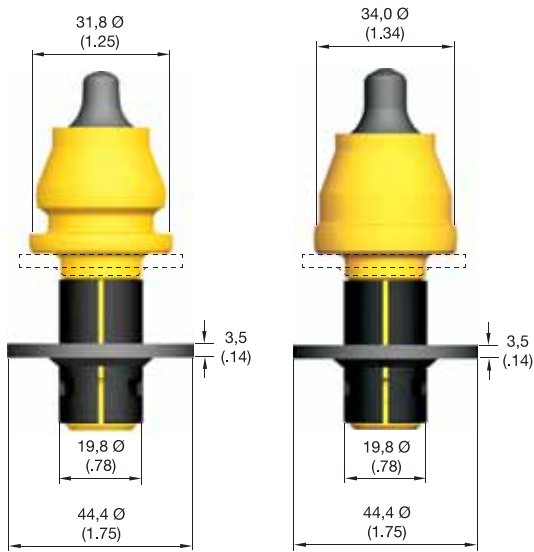
■ RZ2-03P

order number	catalog number
3788408	RZ2-03P

■ Packaging Information

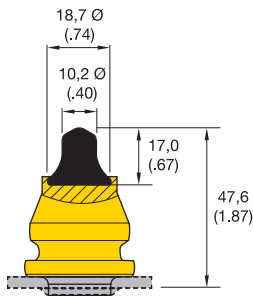
order number	catalog number	container type	pieces per container	container weight (approximate)		containers per pallet	pieces per pallet	pallet weight (approximate)	
				kg	lbs			kg	lbs
2047904	RZ2-01P	box	50	15,0	32,5	60	3000	900	1950
3792222	RZ2-02P	box	50	15,0	33,5	60	3000	900	2010
3788408	RZ2-03P	box	50	16,5	36,0	60	3000	990	2160

Dimensions shown in millimeters and (inches).



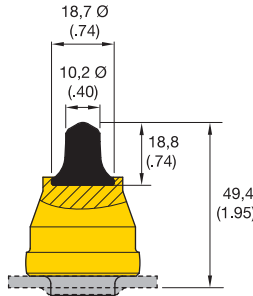
### ■ RZ3-01

order number	catalog number
3098679	RZ3-01



### ■ RZ3-01P

order number	catalog number
3098678	RZ3-01P



### ■ RZ3-02

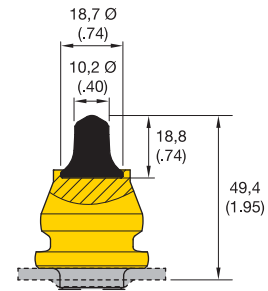
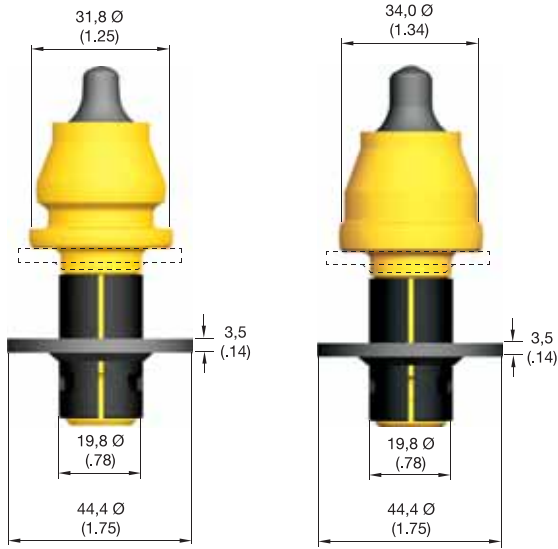
order number	catalog number
3659312	RZ3-02

### ■ Packaging Information

order number	catalog number	container type	pieces per container	container weight (approximate)		containers per pallet	pieces per pallet	pallet weight (approximate)	
				kg	lbs			kg	lbs
3098679	RZ3-01	box	50	15,5	34,5	60	3000	930	2070
3098678	RZ3-01P	box	50	15,0	33,0	60	3000	900	1980
3659312	RZ3-02	box	50	16,0	35,0	60	3000	960	2100

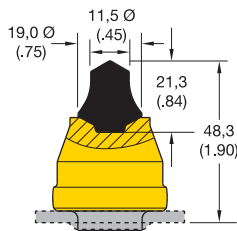
Dimensions shown in millimeters and (inches).





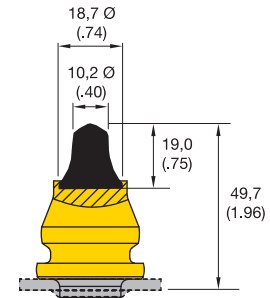
■ RZ3-02P

order number	catalog number
3734969	RZ3-02P



■ RZ4-01

order number	catalog number
3121183	RZ4-01



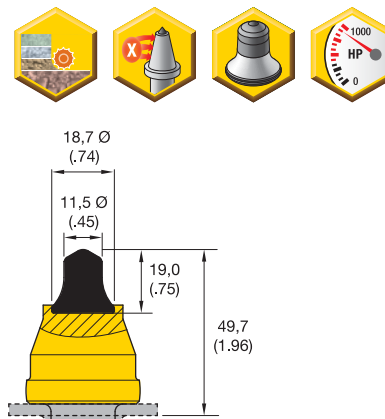
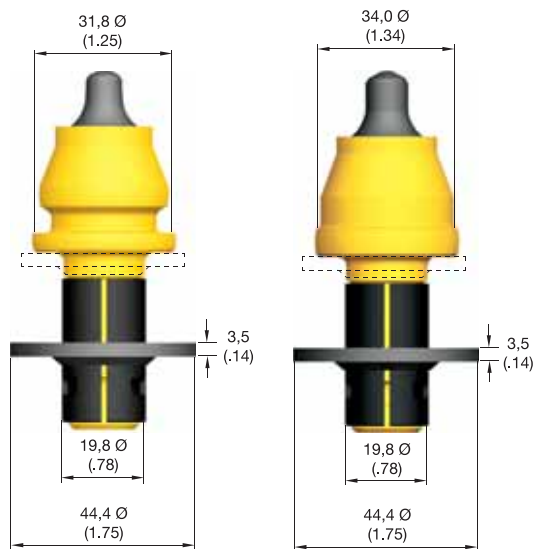
■ RZ4-02P

order number	catalog number
3121185	RZ4-02P

■ Packaging Information

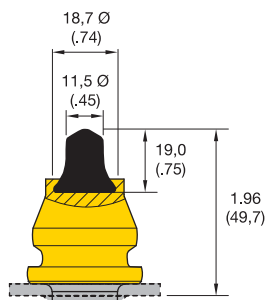
order number	catalog number	container type	pieces per container	container weight (approximate)		containers per pallet	pieces per pallet	pallet weight (approximate)	
				kg	lbs			kg	lbs
3734969	RZ3-02P	box	50	15,0	33,0	60	3000	900	1980
3121183	RZ4-01	box	50	16,0	35,5	60	3000	960	2130
3121185	RZ4-02P	box	50	15,0	33,5	60	3000	900	2010

Dimensions shown in millimeters and (inches).



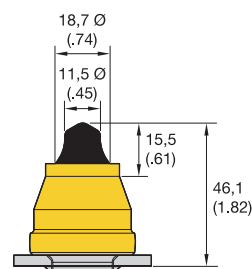
### ■ RZ4-03

order number	catalog number
3581371	RZ4-03



### ■ RZ4-03P

order number	catalog number
3581370	RZ4-03P



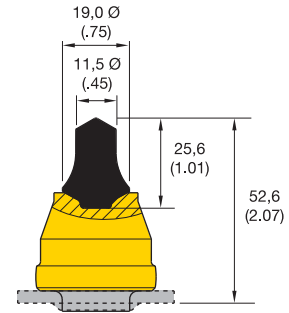
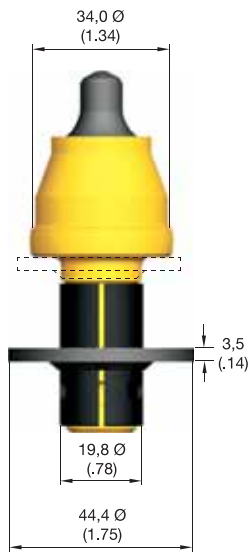
### ■ RZ4-04

order number	catalog number
3853304	RZ4-04

### ■ Packaging Information

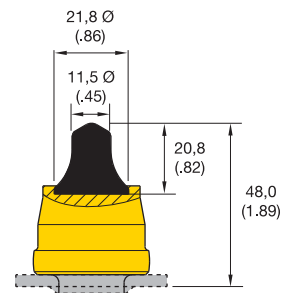
order number	catalog number	container type	pieces per container	container weight (approximate)		containers per pallet	pieces per pallet	pallet weight (approximate)	
				kg	lbs			kg	lbs
3581371	RZ4-03	box	50	16,0	35.5	60	3000	960	2130
3581370	RZ4-03P	box	50	15,0	33.5	60	3000	900	2010
3853304	RZ4-04	box	50	16,0	35.0	60	3000	960	2100

Dimensions shown in millimeters and (inches).



■ RZ5-01

order number	catalog number
3085973	RZ5-01



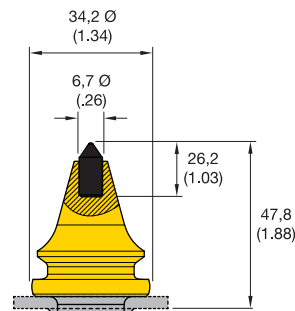
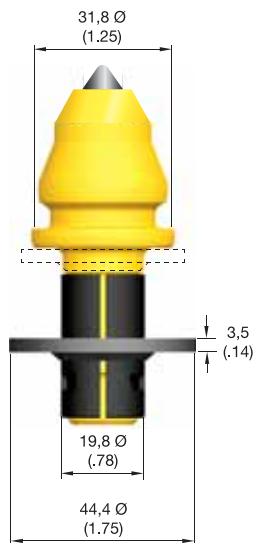
■ RZ5-02

order number	catalog number
3362297	RZ5-02

■ Packaging Information

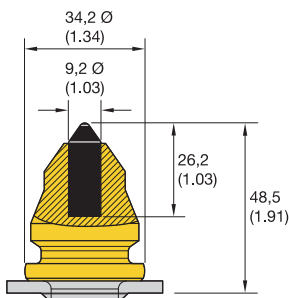
order number	catalog number	container type	pieces per container	container weight (approximate)		containers per pallet	pieces per pallet	pallet weight (approximate)	
				kg	lbs			kg	lbs
3085973	RZ5-01	box	50	16,5	36.0	60	3000	990	2160
3362297	RZ5-02	box	50	16,5	36.0	60	3000	990	2160

Dimensions shown in millimeters and (inches).



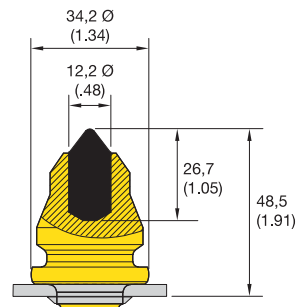
### ■ RZ1-PT7

order number	catalog number
4161122	RZ1-PT7



### ■ RZ1-PT

order number	catalog number
1781714	RZ1-PT



### ■ RZ3-PT

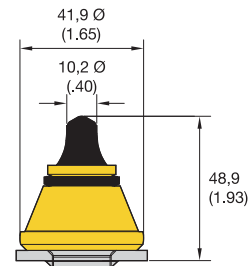
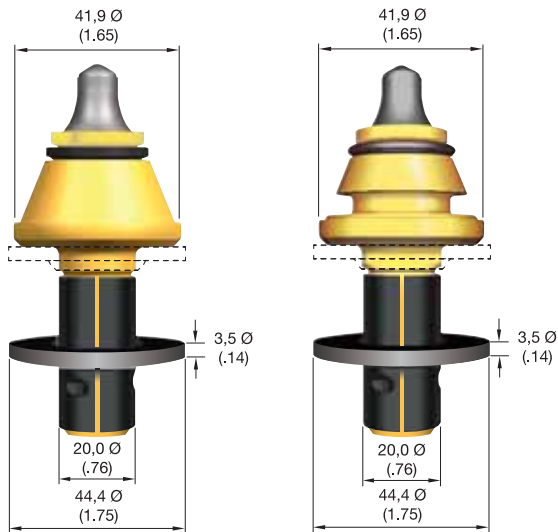
order number	catalog number
1825565	RZ3-PT

### ■ Packaging Information

order number	catalog number	container type	pieces per container	container weight (approximate)		containers per pallet	pieces per pallet	pallet weight (approximate)	
				kg	lbs			kg	lbs
4161122	RZ1-PT7	box	50	12,5	28,0	60	3000	750	1680
1781714	RZ1-PT	box	50	15,5	34,0	60	3000	930	2040
1825565	RZ3-PT	box	50	16,0	35,0	60	3000	960	2100

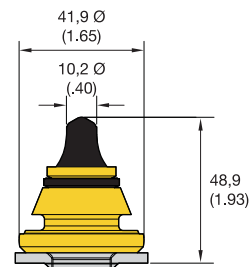
Dimensions shown in millimeters and (inches).

- Carbide ring segments protect body from wear.
- Tool profile allows good penetration.
- Wide collar gives superior holder protection.



■ RZ34

order number	catalog number
5124922	RZ34



■ RZ34P

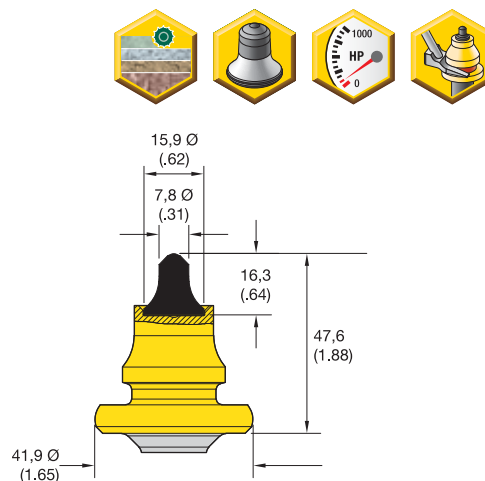
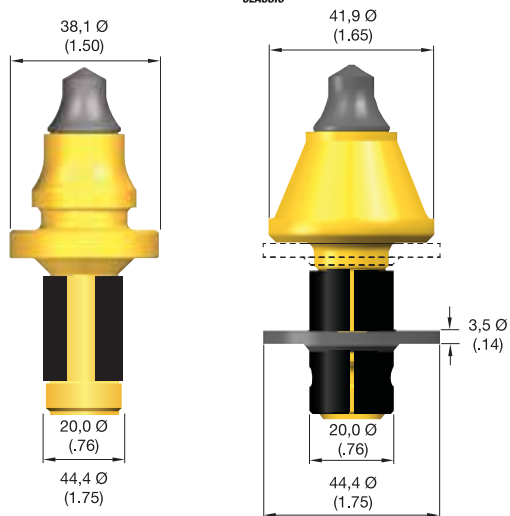
order number	catalog number
5387620	RZ34P

■ Packaging Information

order number	catalog number	container type	pieces per container	container weight (approximate)		containers per pallet	pieces per pallet	pallet weight (approximate)	
				kg	lbs			kg	lbs
5124922	RZ34	box	50	17,5	38.6	60	3000	1050	2315
5387620	RZ34P	box	50	16,5	36.5	60	3000	990	2185

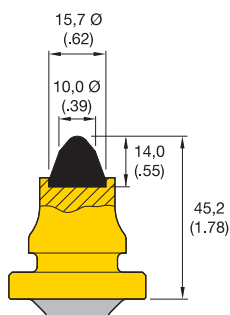
Dimensions shown in millimeters and (inches).

# RoadRazor™ CLASSIC



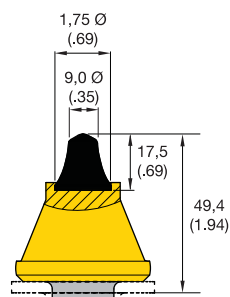
■ RC1-01P

order number	catalog number
5638891	RC1-01P



■ RC2-01P

order number	catalog number
1010862	RC2-01P



■ RC2-02

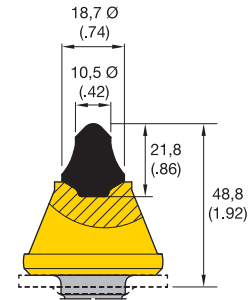
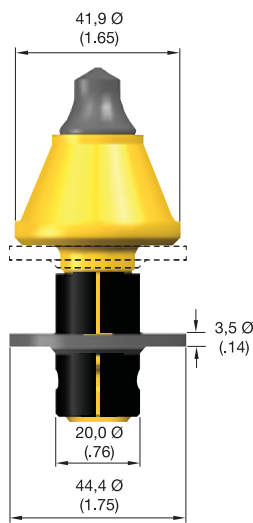
order number	catalog number
1753351	RC2-02

■ Packaging Information

order number	catalog number	container type	pieces per container	container weight (approximate)		containers per pallet	pieces per pallet	pallet weight (approximate)	
				kg	lbs			kg	lbs
5638891	RC1-01P	box	70	18,9	41.3	40	2800	756	1652
1010862	RC2-01P	box	70	18,9	42.0	40	2800	756	1680
1753351	RC2-02	box	50	17,5	38.5	60	3000	1050	2310

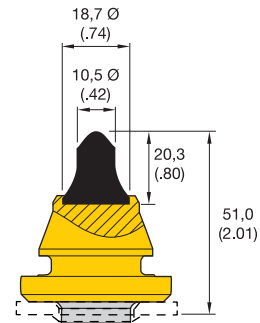
Dimensions shown in millimeters and (inches).

**Road Razor**  
CLASSIC



■ RC3-01

order number	catalog number
1758083	RC3-01



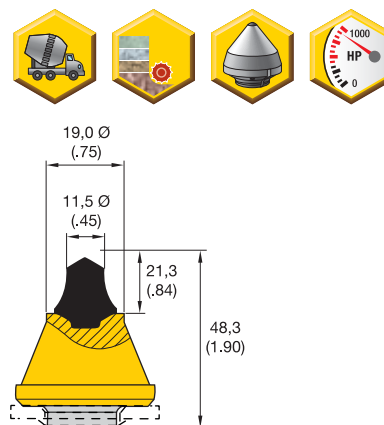
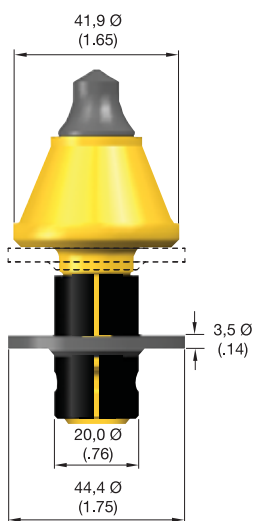
■ RC3-02P

order number	catalog number
1758412	RC3-02P

■ Packaging Information

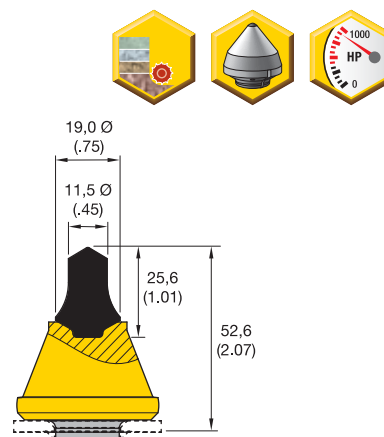
order number	catalog number	container type	pieces per container	container weight (approximate)		containers per pallet	pieces per pallet	pallet weight (approximate)	
				kg	lbs			kg	lbs
1758083	RC3-01	box	50	17,5	39.0	60	3000	1050	2340
1758412	RC3-02P	box	50	16,5	36.5	60	3000	990	2190

Dimensions shown in millimeters and (inches).



■ RC4-01

order number	catalog number
1758415	RC4-01



■ RC5-01

order number	catalog number
1758416	RC5-01

■ Packaging Information

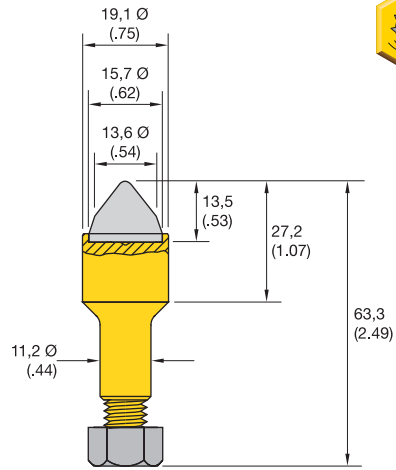
order number	catalog number	container type	pieces per container	container weight (approximate)		containers per pallet	pieces per pallet	pallet weight (approximate)	
				kg	lbs			kg	lbs
1758415	RC4-01	box	50	17,5	39.0	60	3000	1050	2340
1758416	RC5-01	box	50	18,0	39.5	60	3000	1080	2370

Dimensions shown in millimeters and (inches).



**Road Razor**  
CLASSIC

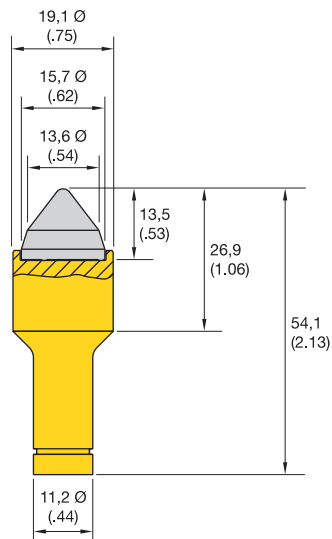
- Shank is threaded for increased retention in the block.



■ CM41

order number	catalog number
1010827	CM41

**Road Razor**  
CLASSIC



■ CM42

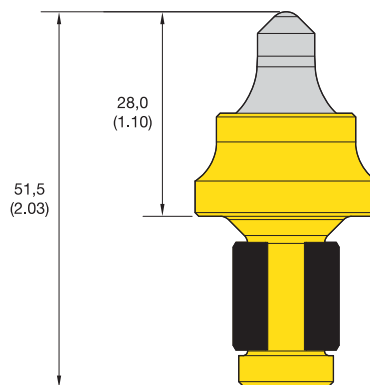
order number	catalog number
1010778	CM42

■ Packaging Information

order number	catalog number	container type	pieces per container	container weight (approximate)		containers per pallet	pieces per pallet	pallet weight (approximate)	
				kg	lbs			kg	lbs
1010827	CM41	bucket	200	17,69	39.0	50	10000	898	1980
1010778	CM42	bucket	200	15,78	34.8	50	10000	803	1770

Dimensions shown in millimeters and (inches).

**Road Razor**  
CLASSIC

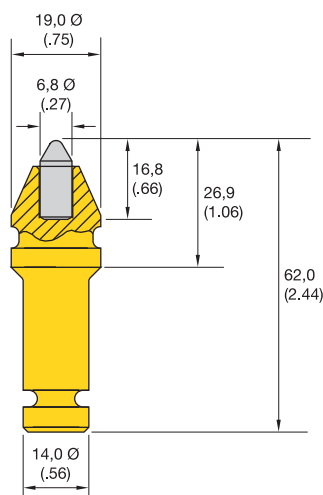


■ CM51

order number  
4080539

catalog number  
CM51

**Road Razor**  
CLASSIC



- For medium to hard conditions.
- Small-diameter tip designed for increased penetration.

■ CM61

order number  
1094015

catalog number  
CM61

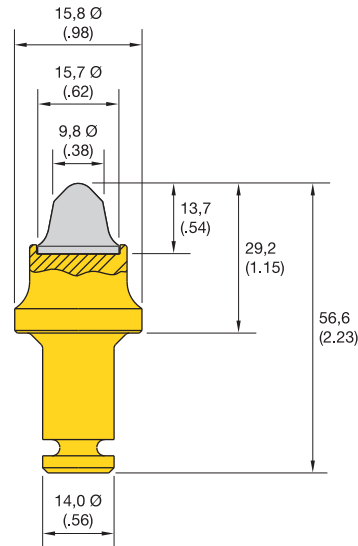
■ Packaging Information

order number	catalog number	container type	pieces per container	container weight (approximate)		containers per pallet	pieces per pallet	pallet weight (approximate)	
				kg	lbs			kg	lbs
4080539	CM51	bucket	200	15,69	34,6	50	10000	798	1759
1094015	CM61	bucket	200	16,78	37,0	50	10000	853	1880

Dimensions shown in millimeters and (inches).

## RoadRazor™ CLASSIC

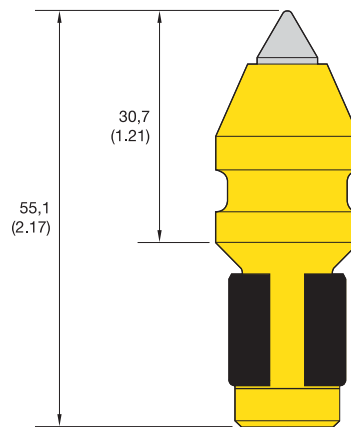
- The wide collar provides maximum block protection.



■ CM63

<b>order number</b>	<b>catalog number</b>
1795208	CM63

## RoadRazor™ CLASSIC



■ CM64

<b>order number</b>	<b>catalog number</b>
1877503	CM64

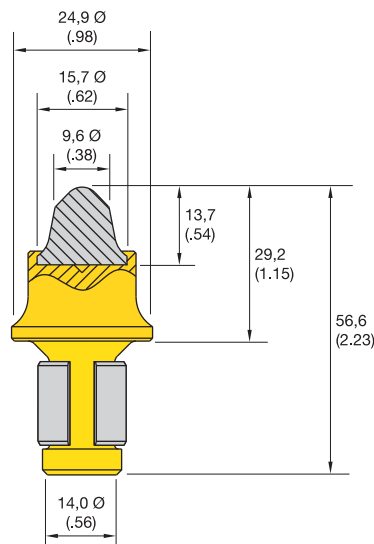
■ Packaging Information

order number	catalog number	container type	pieces per container	container weight (approximate)		containers per pallet	pieces per pallet	pallet weight (approximate)	
				kg	lbs			kg	lbs
1795208	CM63	bucket	200	18,60	41.0	50	10000	944	2080
1877503	CM64	bucket	200	14,97	33.0	50	10000	762	1680

Dimensions shown in millimeters and (inches).

## RoadRazor™ CLASSIC

- Flanged carbide tip for better wear resistance in abrasive cutting.

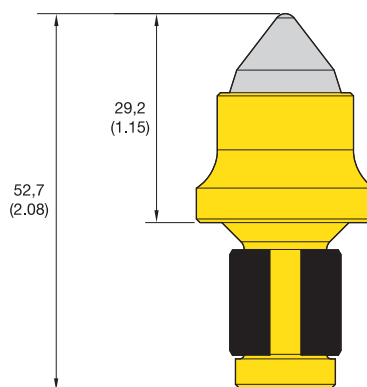


### ■ CM65

order number  
1876905

catalog number  
CM65

## RoadRazor™ CLASSIC



### ■ CM66

order number  
1920103

catalog number  
CM66

### ■ Packaging Information

order number	catalog number	container type	pieces per container	container weight (approximate)		containers per pallet	pieces per pallet	pallet weight (approximate)	
				kg	lbs			kg	lbs
1876905	CM65	bucket	200	19,50	43.0	50	10000	989	2180
1920103	CM66	bucket	200	18,59	41.0	50	10000	943	2079

Dimensions shown in millimeters and (inches).



# ACCESSORIES

## ACCESSORIZE PRODUCTIVITY



### Track Pads

---

- CUSHOTRAC™ Ultimate track pad — 2000-hour guarantee.
- Increased foot print, better traction, and less wear.
- Better cut, tear, and abrasion-resistant properties.



### Conveyor Rollers

---

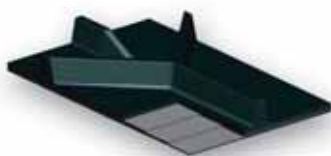
- Garland and flat return rollers.
- Extra long design reduces gaps between center and wing rolls, ensuring better belt tracking and maintenance.
- Lightweight, durable, and economical.



### Power Belts

---

- Highly wear resistant.
- Multi-layered woven sheathing.
- For high-power transmission and impact load.



### Conveyor Belts

---

- High abrasion resistance.
- High cleats for maximum capacity.
- Cleat and upper layer manufactured in one process step for maximum reliability.



[www.kennametal.com](http://www.kennametal.com)



# Soil Stabilization Conicals

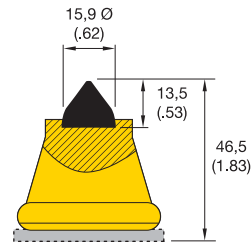
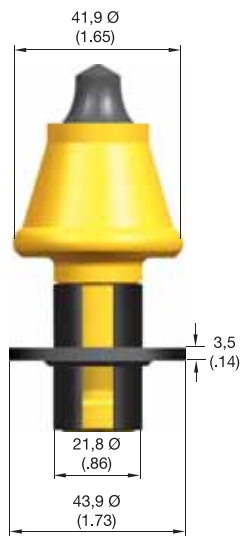
## Table of Contents

Quick Selection Guide .....	43
SZ Series Shank .....	44–45

# Quick Selection Guide

This reference chart can be utilized to quickly select tooling based on machine size, collar size, or specific application. For your convenience, packaging information has also been included. Additional detail can be found on the following pages.

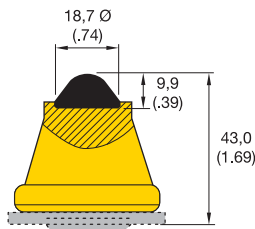
Item	Order Number	Collar (mm)	Washer	Recommended Application	Pieces per Box	Pieces per Pallet
				Stabilizing		
SZ1-01	3888955	41,9	●	●	40	2,400
SZ2-01	3898542	41,9	●	●	40	2,400
SZ3-01	3898540	41,9	●	●	40	2,400
SZ4-01	4063850	41,9	●	●	40	2,400
SZ5-01T	4071252	41,9	●	●	40	2,400
SZ6-01T	4071251	41,9	●	●	40	2,400



■ SZ1-01

order number  
3888955

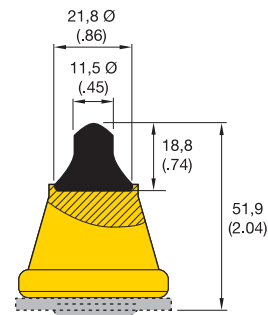
catalog number  
SZ1-01



■ SZ2-01

order number  
3898542

catalog number  
SZ2-01



■ SZ3-01

order number  
3898540

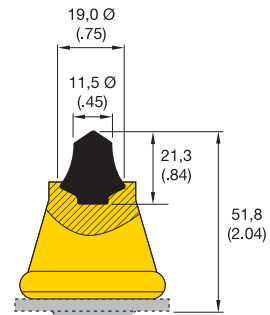
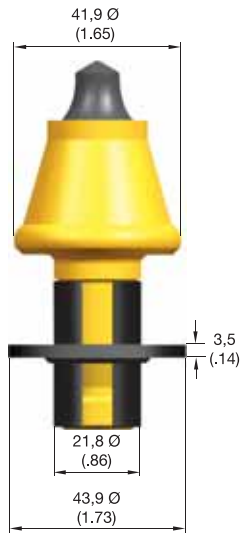
catalog number  
SZ3-01

■ Packaging Information

order number	catalog number	container type	pieces per container	container weight (approximate)		containers per pallet	pieces per pallet	pallet weight (approximate)	
				kg	lbs			kg	lbs
3888955	SZ1-01	box	40	14,8	33.2	60	2400	888	1992
3898542	SZ2-01	box	40	14,8	33.2	60	2400	888	1992
3898540	SZ3-01	box	40	15,6	34.8	60	2400	936	2088

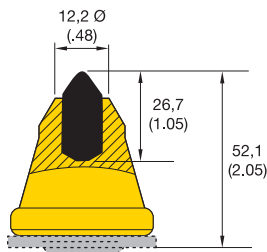
Dimensions shown in millimeters and (inches).





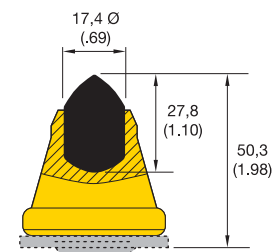
■ **SZ4-01**

order number	catalog number
4063850	SZ4-01



■ **SZ5-01T**

order number	catalog number
4071252	SZ5-01T



■ **SZ6-01T**

order number	catalog number
4071251	SZ6-01T

■ **Packaging Information**

order number	catalog number	container type	pieces per container	container weight (approximate)		containers per pallet	pieces per pallet	pallet weight (approximate)	
				kg	lbs			kg	lbs
4063850	SZ4-01	box	40	16,8	36.8	60	2400	1008	2208
4071252	SZ5-01T	box	40	16,0	35.2	60	2400	960	2112
4071251	SZ6-01T	box	40	16,4	36.4	60	2400	984	2184

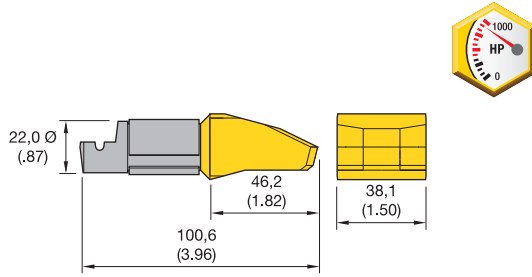
Dimensions shown in millimeters and (inches).



# Soil Stabilization Tooling

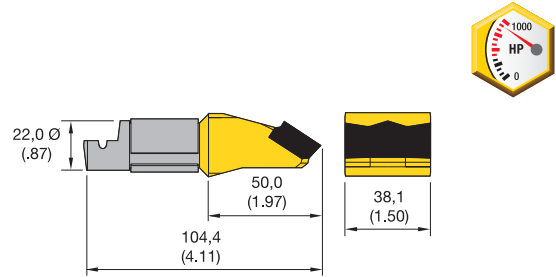
## Table of Contents

Flat Tooth AR Series .....	47
Flat Tooth KB Series .....	48



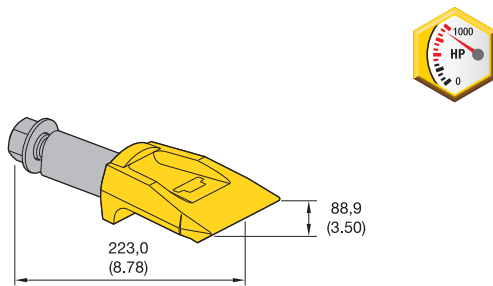
■ AR150 87ST Hardened Steel Edge

order number	catalog number
1012241	AR150 87ST TOOTH



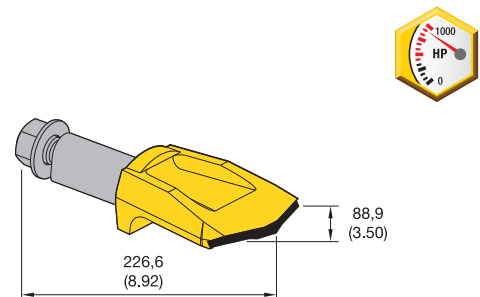
■ AR150 87 Carbide Edge

order number	catalog number
1012240	AR150 87



■ AR350ST Hardened Steel Edge

order number	catalog number
1012239	AR350ST



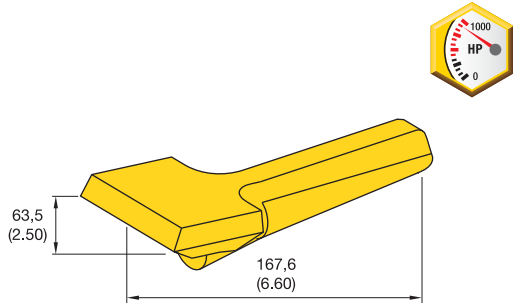
■ AR350T Carbide Edge

order number	catalog number
1012258	AR350T

■ Packaging Information

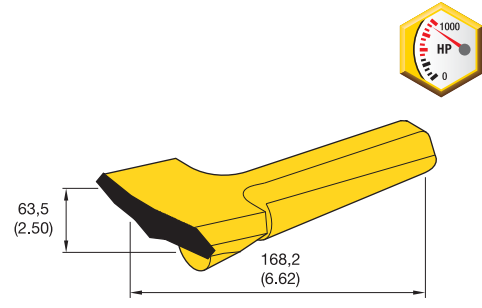
order number	catalog number	container type	pieces per container	container weight (approximate)		containers per pallet	pieces per pallet	pallet weight (approximate)	
				kg	lbs			kg	lbs
1012241	AR150 87ST TOOTH	bucket	40	16,4	36,0	50	2000	820	1800
1012240	AR150 87	bucket	40	17,2	38,0	50	2000	780	1720
1012239	AR350ST	K05 Box	6	15,2	33,6	50	300	723	1593
1012258	AR350T	K05 Box	6	15,5	34,2	50	300	666	1467

Dimensions shown in millimeters and (inches).



■ **KB250ST Hardened Steel Edge**

order number	catalog number
1012242	KB250ST



■ **KB250 Carbide Edge**

order number	catalog number
1012238	KB250

■ **Packaging Information**

order number	catalog number	container type	pieces per container	container weight (approximate)		containers per pallet	pieces per pallet	pallet weight (approximate)	
				kg	lbs			kg	lbs
1012242	KB250ST	bucket	15	12,8	28.3	50	750	623	1373
1012238	KB250	bucket	15	13,4	29.6	50	750	645	1425

Dimensions shown in millimeters and (inches).

Looking for a product that's not shown in this catalog?  
Check the Kennametal website!



Construction

Online product catalog available 24/7

Visit <http://www.kennametal.com/construction/> to browse our electronic catalog any time you're looking for Kennametal's best tooling solutions. It's fast, free, and always available. The online e-catalog is updated weekly with products and solutions for Road Rehabilitation, Road Milling, Soil Stabilization, Toolholders, and Accessories.



# Toolholder Systems

## Table of Contents

### Road Rehabilitation Toolholder Systems

Toolholder Selection System .....	52–53
KPF300 Series .....	54–55
KPF200 Series .....	56
KPF400 Series .....	56
CB Series .....	57–58

### Soil Stabilization Toolholder Systems

Quick-Change Series .....	59–60
Flat Tool Series .....	61

### Weld-On Toolholder Systems

Blocks with Relocators .....	62
Blocks .....	63–65

### Assembly Instructions

Quick-Change Toolholder Systems .....	66–69
KPF300 Series Toolholder Systems .....	70–73

# Toolholders

Road Rehabilitation is what you do best. But the job can take you into challenging conditions. Soil, asphalt, and concrete can be tough on cutting tool systems, so you need a toolholder that is equally tough.

If your current toolholders aren't making the cut and aren't keeping up with your expectations, see what Kennametal offers. It's what we do best.

## KPF300 Series Systems • Offers up to 100% Improvement in Toolholder Life

### KPF303R Toolholder

- Curved cross-section of retention surface and shorter extraction length for easier sleeve removal.
- Bore relief enables removal of asphalt build-up and broken shanks.
- Bi-directional easy-pull notches allow reversing sleeve to double the wear life in abrasive applications.

### KPF303RX Toolholder

- All the benefits of KPF303R sleeve.
- Up to 20% increased wear life to meet your maintenance schedule.

### KPF301 Base

- Heavy-duty base block for extended life.
- Large weld area for maximum strength.
- Relocator pins for positioning replacement blocks.

### KPL302 and KPR302 Bases

- Compact, streamlined left and right bases.
- More conveyance capacity for deeper cuts.
- Effective conveyance for tighter line spacing applications.
- Engineered for unmatched durability.



# Toolholder Product Selector



■ **Weld-On Toolholder**

Application		Order Number	Description	Attachment Type	Applicable Tool Information						
Road Milling	Soil Stabilization & Road Reclamation				Tool Size Shank Diameter			Groove for Dimpled Retainer*	Notch for Non-Rotation**	Length for External Retainer	
					mm	in	Page(s)			mm	in
●		1012281	CMB4	Weld-On	11	0.44	37			19	0.75
●		5031028	CMB5 Block	Weld-On	13	0.51	38			24	0.95
●		1321008	CMB6	Weld-On	14	0.56	38–40			19	0.75
●		1898353	CMB6-L	Weld-On	14	0.56	38–40			24	0.95
●	●	2037958	3044 Edge Cutter	Weld-On	20	0.79	24–36				
●	●	2433072	3046 Edge Cutter	Weld-On	20	0.79	24–36				
●	●	2432317	3048 Edge Cutter	Weld-On	20	0.79	24–36				
●	●	1858587	SLB01-G	Weld-On	22	0.87	44–45	●		45	1.77
●	●	1012290	C87HDS	Weld-On	22	0.87	44–45	●			
●	●	1012234	C87-G	Weld-On	22	0.87	44–45, 47	●	●		
●	●	1012275	C87B	Weld-On	22	0.87	44–45, 47		●		
●	●	1012289	C10HD	Weld-On	20	0.79	24–36	●			
●	●	1012280	C10H	Weld-On	20	0.79	24–36	●	●		
●	●	1012278	C10	Weld-On	20	0.79	24–36	●			
●	●	1886760	C3RB	Weld-On	20	0.79	24–36	●		45	1.77
	●	1012296	KBB250	Weld-On	sp	sp	48				
	●	1012282	AR35	Weld-On	sp	sp	47			76	3.00

\* Toolholders can use tools with dimpled retainers and with smooth retainers.

\*\* Toolholders can use tools with a notch and rotating tools.





■ **Toolholders Requiring Base**

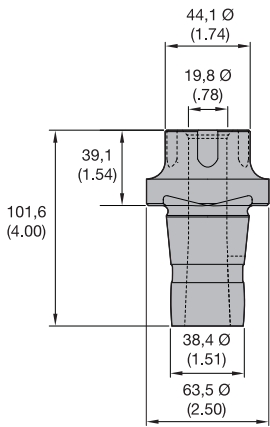
Application		Order Number	Description	Attachment Type	Base Information			Applicable Tool Information				
Road Milling	Soil Stabilization & Road Reclamation				Base Order Number	Base Description	Page(s)	Tool Size Shank Diameter			Groove for Dimpled Retainer*	Notch for Non-Rotation**
							mm	in	Page(s)			
•	•	3545505	KPF303R	Press	5328733	KPL302 Base	55	20	0.76	24-36		
•	•				5328732	KPR302 Base	55					
•	•				1873505	KPF301 Base	55					
•	•	3843791	KPF303RX	Press	5328733	KPL302 Base	55	20	0.76	24-36		
•	•				5328732	KPR302 Base	55					
•	•				1873505	KPF301 Base	55					
•	•	2497314	KPF303-87	Press	5328733	KPL302 Base	55	22	0.87	44-45		
•	•				5328732	KPR302 Base	55					
•	•				1873505	KPF301 Base	55					
•	•	3087915	KPF200 R	Press	1971419	KPF201 Base	56	20	0.76	24-36		
•	•	1794976	KPF400	Taper	1807045	KPF400 Base	56	20	0.76	24-36		
•	•	1013348	QC110HD	Taper	1011565	QC100 Base	59	20	0.76	24-36		
•	•	1870578	QC110HDG	Taper	1011565	QC100 Base	59	20	0.76	24-36	•	
•	•	1588922	QC187HD	Taper	1011565	QC100 Base	59	22	0.87	44-45		
•	•	1012284	QC110H	Taper	1012283	QC110B Base	60	20	0.76	24-36	•	•
•	•	1012293	QC110 87	Taper	1012283	QC110B Base	60	22	0.87	44-45, 47		•
	•	1012307	AR30C	Thread	1012282	AR35	61	25	0.99	****	•	
•	•	1012298	C87RL	Weld to Base	1012364	C10AM C10LG Base	62	22	0.87	44-45, 47		•
•	•	1012285	C10AMC	Weld to Base	1012364	C10AM C10LG Base	62	20	0.76	24-36		
•	•	1012297	C10RL	Weld to Base	1012364	C10AM C10LG Base	62	20	0.76	24-36		•
•	•	1012345	C10LG	Weld to Base	1012364	C10AM C10LG Base	62	20	0.76	24-36		
•	•	3484075***	CB10HD***	Retaining Screw	NA	HT11 Base		20	0.76	24-36		
•	•	3838604***	CB10HD-87 22MM HD***	Retaining Screw	NA	HT11 Base		22	0.87	44-45		
•	•	2508113***	CB10***	Retaining Screw	NA	HT3 Base		20	0.76	24-36		

\* Toolholders can use tools with dimpled retainers and with smooth retainers.

\*\* Toolholders can use tools with a notch and rotating tools.

\*\*\* Require additional components (sold separately). This product is available for sale only in the U.S.

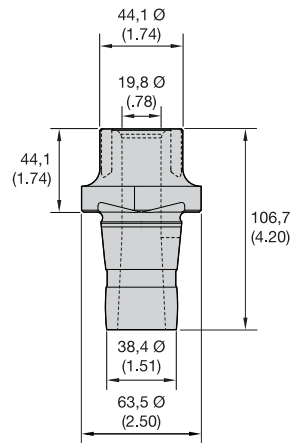
\*\*\*\* Contact your local CSR for product options in 1" tooling.



■ KPF303R Sleeve

order number	3545505
--------------	---------

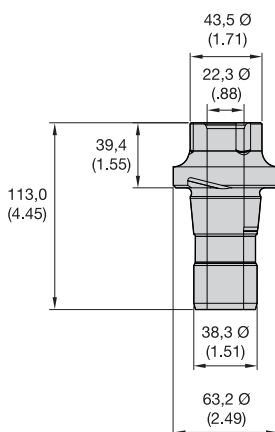
catalog number	KPF303R
----------------	---------



■ KPF303RX Sleeve

order number	3843791
--------------	---------

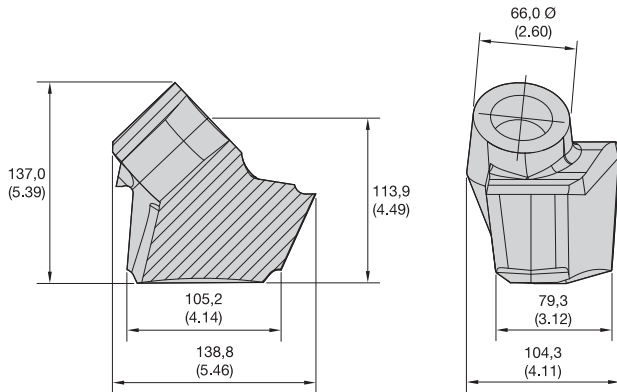
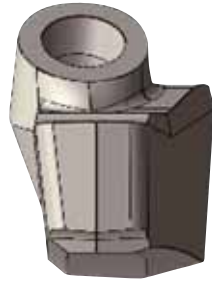
catalog number	KPF303RX
----------------	----------



■ KPF303-87 Sleeve

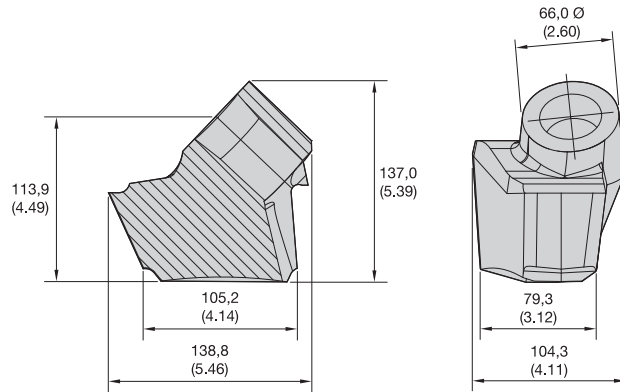
order number	2497314
--------------	---------

catalog number	KPF303-87 SLEEVE
----------------	------------------



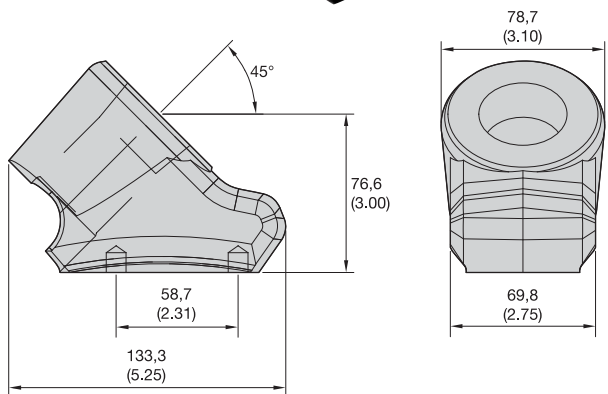
■ KPL302 Base • Left Hand

order number	catalog number
5328733	KPL302 BASE



■ KPR302 Base • Right Hand

order number	catalog number
5328732	KPR302 BASE

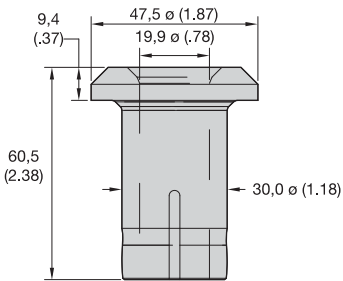


■ KPF301 Base

order number	catalog number
1873505	KPF301 BASE

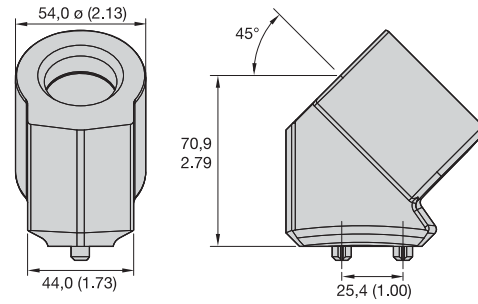


Toolholder Systems



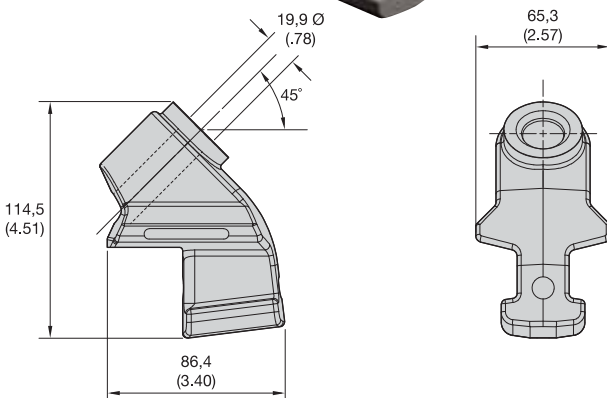
■ KPF200R Bushing

order number	catalog number
3087915	KPF200 R BUSHING



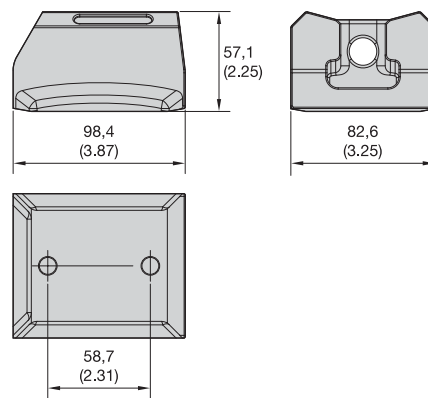
■ KPF201 Base

order number	catalog number
1971419	KPF201 BLOCK



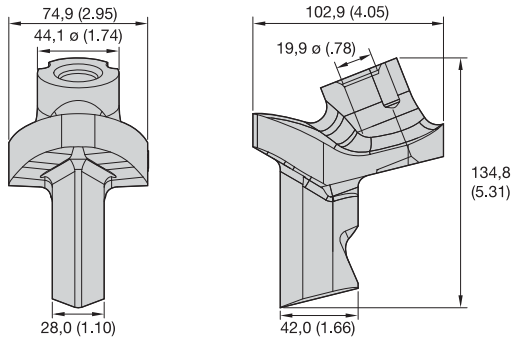
■ KPF400 Toolholder

order number	catalog number
1794976	KPF400 BLOCK



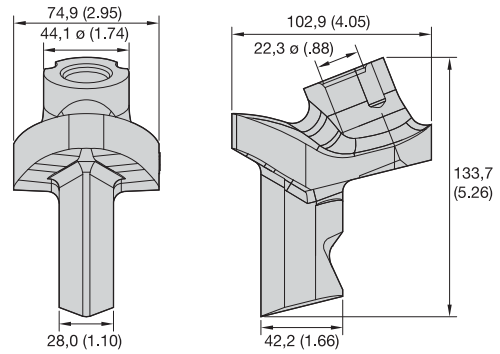
■ KPF400 Base

order number	catalog number
1807045	KPF400 BASE ASSEMBLY


**■ CB10HD Toolholder \***

order number	catalog number
3484075	CB10HD BLOCK

NOTE: This product is available for sale only in the U.S.A.


**■ CB10HD-87 Toolholder \***

order number	catalog number
3838604	CB10HD-87 BLOCK

NOTE: This product is available for sale only in the U.S.A.


**■ CB10HD Plastic Cap**

order number	catalog number
3479742	CB10HD PLASTIC CAP

NOTE: This product is available for sale only in the U.S.A.


**■ CB10HD Retaining Screw**

order number	catalog number
3479793	CB10HD RETAINING SCREW

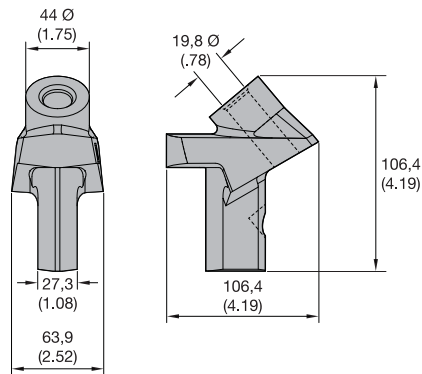
NOTE: This product is available for sale only in the U.S.A.


**■ CB10HD Seal**

order number	catalog number
3781368	CB10HD SEAL

NOTE: This product is available for sale only in the U.S.A.

\*Toolholder requires additional components that are sold separately.



■ CB10 Toolholder \*

order number	catalog number
2508113	CB10 BLOCK

NOTE: This product is available for sale only in the U.S.A.



■ CB10 Plastic Cap

order number	catalog number
2992199	CB10 PLASTIC CAP

NOTE: This product is available for sale only in the U.S.A.

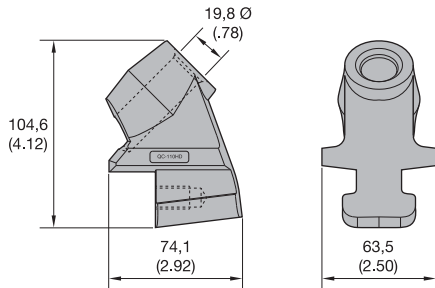


■ CB10 Retaining Screw

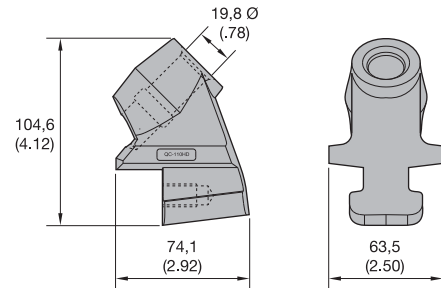
order number	catalog number
2992200	CB10 RETAINING SCREW

NOTE: This product is available for sale only in the U.S.A.

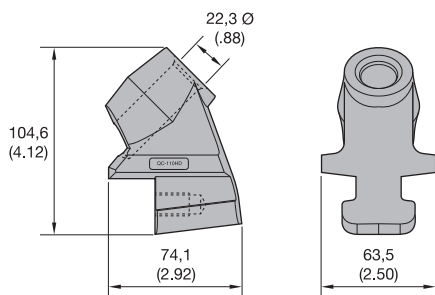
\*Toolholder requires additional components that are sold separately.


**■ QC110HD Toolholder**

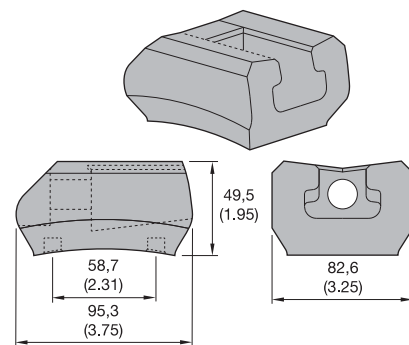
order number	catalog number
1013348	QC110HD BLOCK


**■ QC110HDG Toolholder**

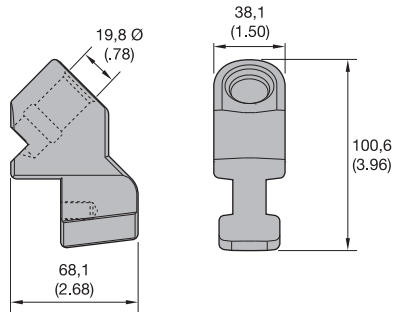
order number	catalog number
1870578	QC110HDG


**■ QC187HD Toolholder**

order number	catalog number
1588922	QC187HD

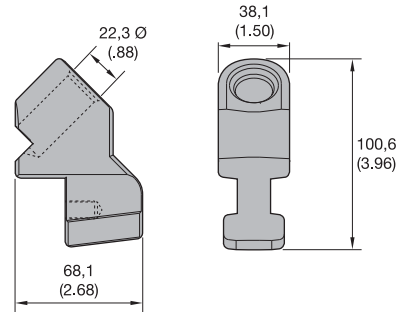

**■ QC100 Base**

order number	catalog number
1011565	QC100 BASE ASSEMBLY



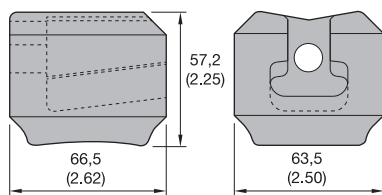
■ QC110H Toolholder

order number	catalog number
1012284	QC110H HOLDER



■ QC110 87 Toolholder

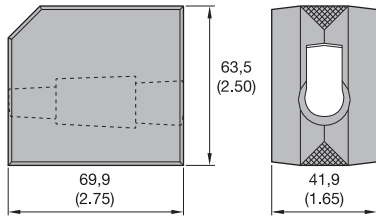
order number	catalog number
1012293	QC110 87 HOLDER



■ QC110 B Base

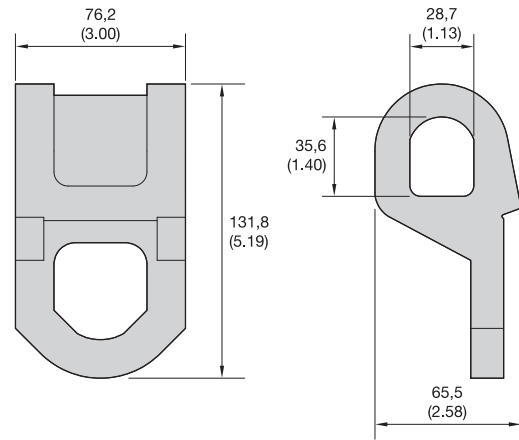
order number	catalog number
1012283	QC110 B BLOCK BASE





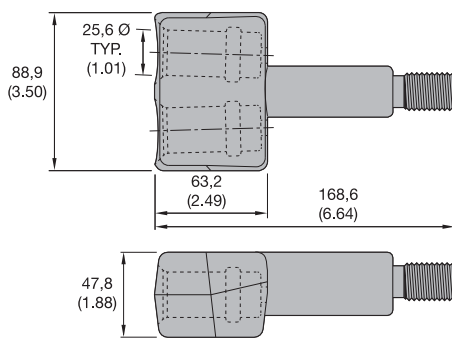
■ KBB250 Block

order number	catalog number
1012296	KBB250 BLOCK



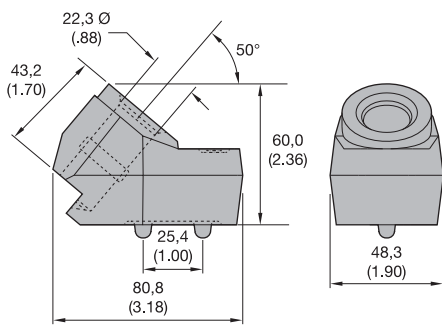
■ AR35 Block

order number	catalog number
1012282	AR35 BLOCK



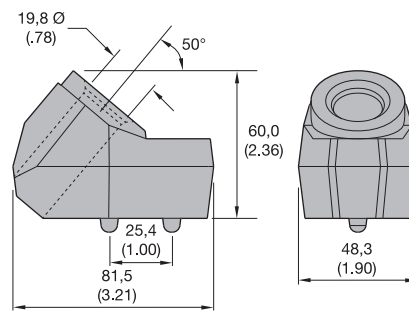
■ AR30C Block

order number	catalog number
1012307	AR30C BLOCK



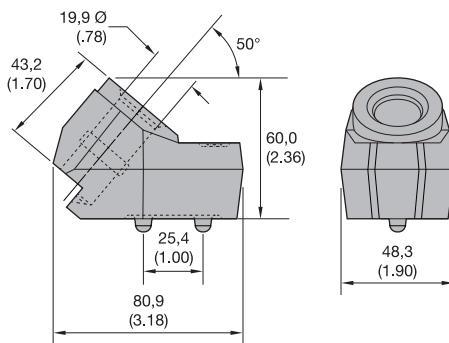
■ C87RL - G Block

order number	catalog number
1012298	C87RL - G



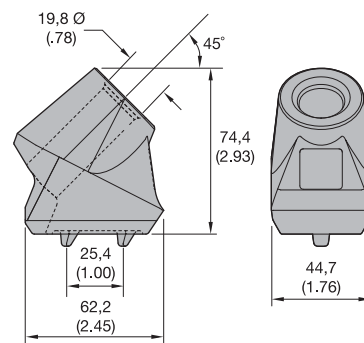
■ C10AMC Block

order number	catalog number
1012285	C10AMC BLOCK



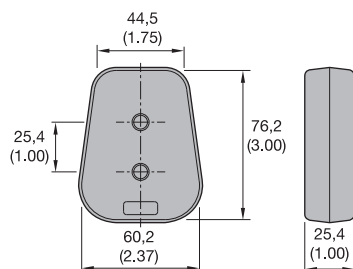
■ C10RL Block

order number	catalog number
1012297	C10RL BLOCK



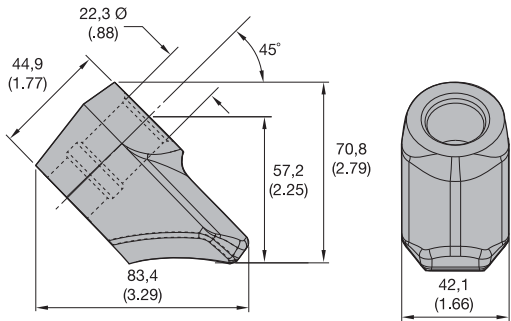
■ C10LG Block

order number	catalog number
1012345	C10LG BLOCK



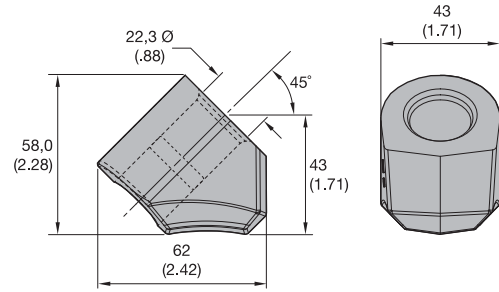
■ C10AM C10LG Base

order number	catalog number
1012364	C10AM C10LG BASE



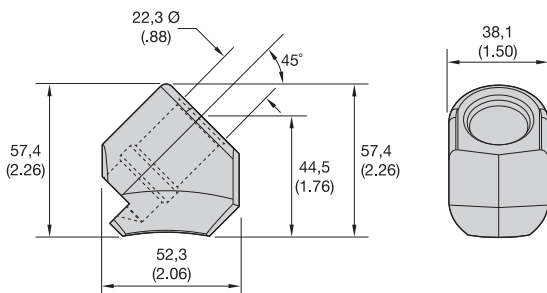
■ **SLB01 - G Block**

order number	catalog number
1858587	SLB01 - G



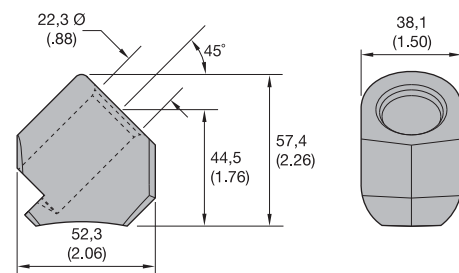
■ **C87HDS - G Block**

order number	catalog number
1012290	C87HDS - G



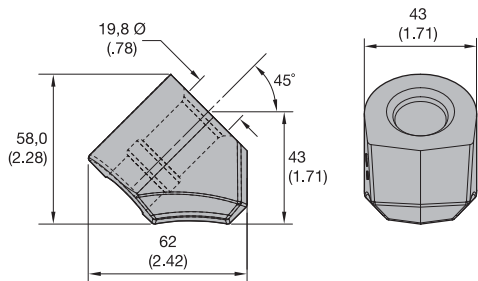
■ **C87 - G Block**

order number	catalog number
1012234	C87 - G



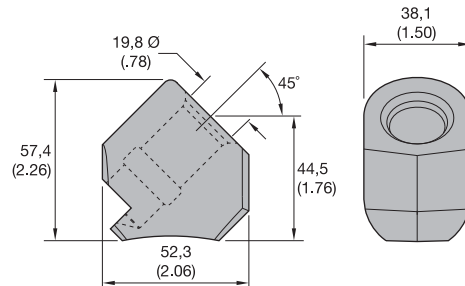
■ **C87B Block**

order number	catalog number
1012275	C87B



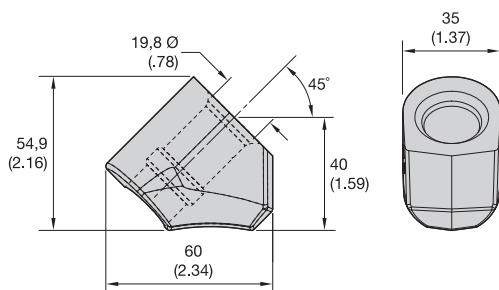
■ C10HD Block

order number	catalog number
1012289	C10HD BLOCK



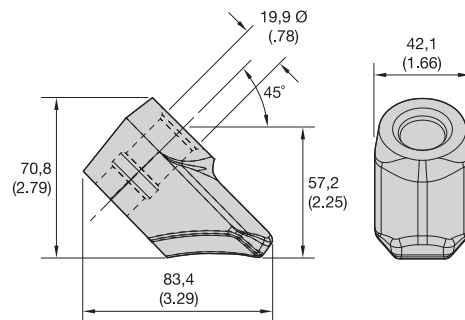
■ C10H Block

order number	catalog number
1012280	C10H BLOCK



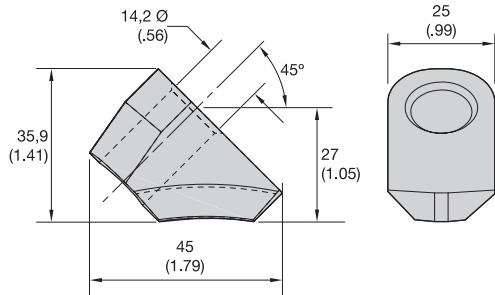
■ C10 Block

order number	catalog number
1012278	C10 BLOCK



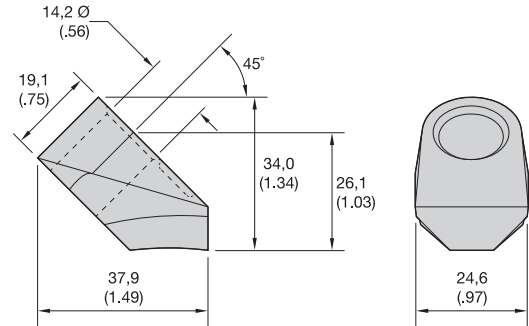
■ C3RB Block

order number	catalog number
1886760	C3RB BLOCK



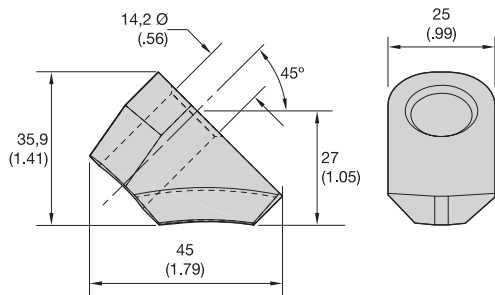
■ **CMB6-L Block**

order number	catalog number
1898353	CMB6-L



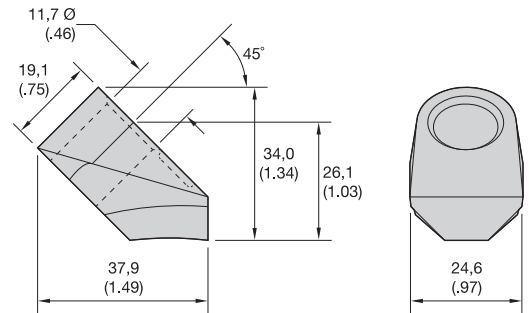
■ **CMB6 Block**

order number	catalog number
1321008	CMB6



■ **CMB5 Block**

order number	catalog number
5031028	CMB5 BLOCK



■ **CMB4 Block**

order number	catalog number
1012281	CMB4 BLOCK

# Quick-Change Toolholder Systems

## Assembly Instructions for QC100 Base and QC110HD Holder

NOTE: The system is held together by the taper. The following assembly process is critical. If the holder and base are not assembled properly, excessive movement between the two units will occur and the system may fail prematurely.

### Step 1: Installing the Holder Before Welding

Choose Method A or B to assemble the quick-change holder and base prior to welding. To make sure the holder and base are positioned properly on the drum, use a cutting tool pointer in the holder.

#### Method A: Hammering

1. Place the quick-change holder in the base.
2. Lightly hammer the front of the holder "T" section to seat the holder into the base.
3. The front of the quick-change holder will protrude out from the base about 6,35mm (1/4").
4. The unit can be welded to a pedestal or drum.

#### Method B: Pressing

NOTE: Pressing the quick-change holder and QC100 base together is a more precise method of assembly.

1. Secure the base in a fixture that can safely apply 4.536 kg (10,000 lbs) of force.
2. Press the holder into the base with a load force of 4.536 kg (10,000 lbs).
3. With the holder pressed in the base, the unit can be welded to a pedestal or drum.

## Step 2: Completing Assembly After Welding

For new drums and for in-field holder replacement:

1. Hit the holder on the front of the “T” section four to five times with a 1,8–2,3 kg (4–5 lbs) steel hammer. When hit, the pieces will start out making a dull “thud” sound. As they become properly seated, the sound becomes a high pitch “ringing”.
2. At this point, the two pieces will be locked together with the tapers. The holder will still protrude out from the base.
3. Install the bolt supplied with the holder and torque to 27–32 kg (60–70 lbs) dry. **Do not attempt to seat the quick-change holders using the torque on the bolt only.** The bolt strength is insufficient to apply the required assembly load.
4. Operate the machine 4–6 hours. Check holders and bolts. Reseat any loose holders and re-torque any loose bolts.
5. After 10–12 hours of operation, check all holder assemblies again. All units should be tight at this check. If some units are found to be loose, disassemble and re-assemble.
6. Holder and base units that have been tightened twice are considered locked together on the tapers. Under normal working conditions, they should remain locked together. Bolts may become loose if taper tightens.

# Quick-Change Toolholder Systems

## Changing Worn Holders

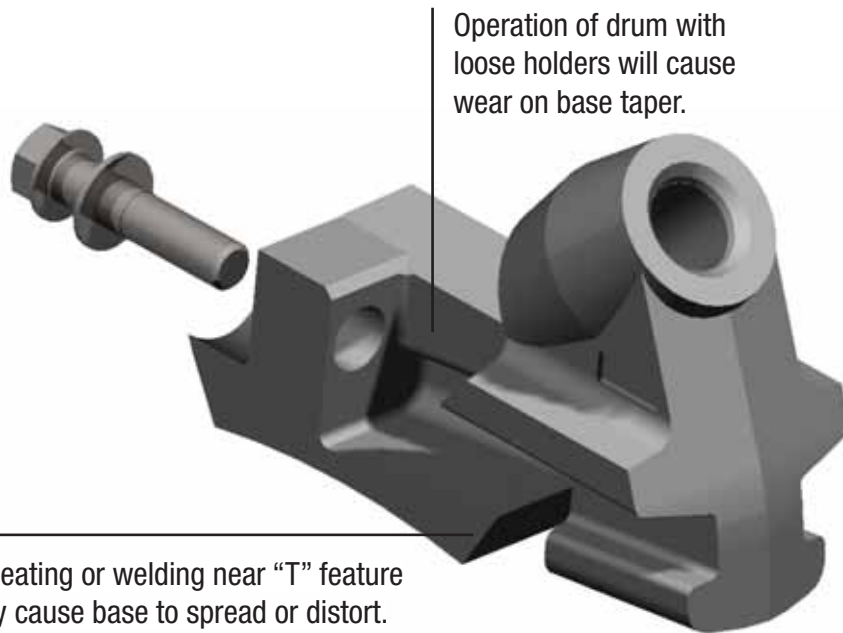
1. Remove bolt. Hit the back of the holder as close as possible to the top of the base with a 1,8–2,3 kg (4–5 lbs) hammer. Be careful not to damage the base.
2. Clean any debris from the base. Install a new holder according to procedure in Step 2 (see page 67).

## Use of Silicon Sealant (After Assembly)

Applying silicon sealant to the T-section of the holder may help to keep debris out of the seams between the holder and the base. To use sealant, apply it around the front seam after assembly of the holder into the base.

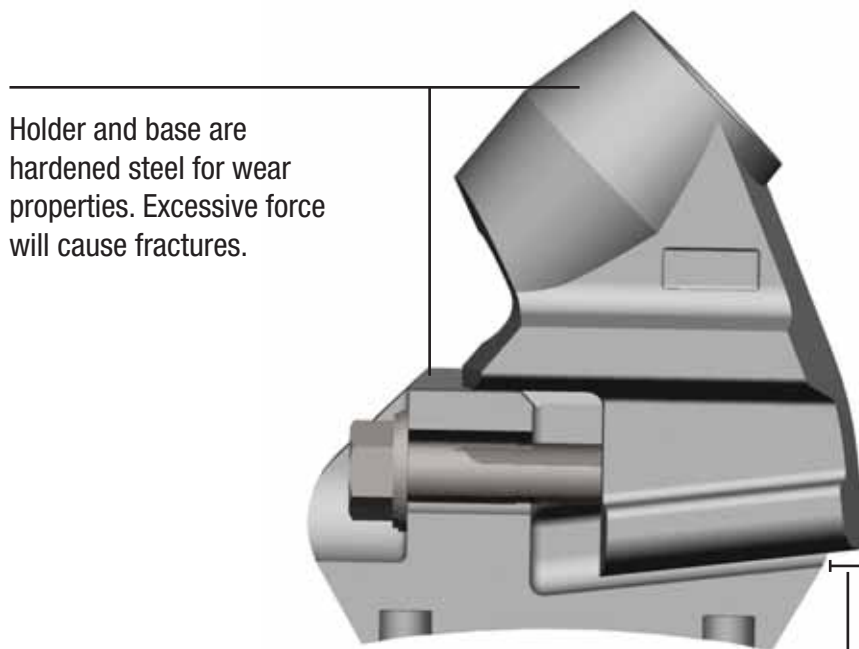


### Additional Notes for QC110HD System:



Operation of drum with loose holders will cause wear on base taper.

Excessive heating or welding near "T" feature of base may cause base to spread or distort.

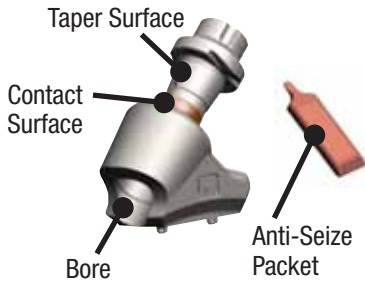


Holder and base are hardened steel for wear properties. Excessive force will cause fractures.

New base/holder should be 3,18–9,52mm (1/8–3/8") protrusion. If a new holder does not protrude, base is near the end of service life.

# KPF300 Series Toolholder Systems

## Assembly Instructions



### Step 1: Sleeve Installation

- Use anti-seize or light oil to lubricate sleeve contact surface prior to installation (anti-seize packet included inside the bore of each sleeve).
- Do not lubricate the taper surface.
- Always clear debris from the base bore prior to installation.



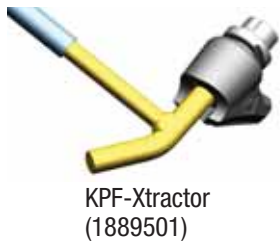
### Step 2: Sleeve Installation

- Easy Pull notches on the sleeve should be aligned with the opening towards the top of the block as illustrated above or rotated slightly for outside gage cutter blocks. This allows access for wedge puller during sleeve removal.
- Always protect the face of sleeve during installation — KPF installation bit (1966708) as shown above.
- Maintain proper alignment of sleeve with base bore when installing. If sleeve is misaligned it could damage internal bore of base.



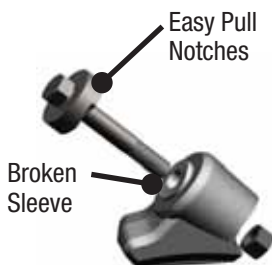
### Step 3: Sleeve Removal

- Use the starter KPF301 SHP Wedge Puller (3395861), to break the taper on the sleeve (Fig. A).
- Use the KPF301 LGP Wedge Puller to move the sleeve the rest of the way out of the Base (Fig. B). If planning to re-install, be sure to clean bore and sleeve before installation procedure.



### Step 4: X-Tractor Tool

This punch can provide another means to remove sleeves after breaking the taper lock with the KPF301 SHP Wedge Puller. This can only be used where accessible to rear of the sleeve.



### Step 5: Broken Sleeve Removal

To remove a broken sleeve, first clear the bore of any material. This can be done with a 19mm (3/4") masonry bit and drill. Next, install the KPF301 sleeve removal assembly into bore of the sleeve and tighten nut as shown above. Then refer to normal removal with the KPF301 Puller shown in Step 3.

KPF301 Sleeve Removal  
Assembly (2273341)



KPF301 Flex Drill  
Assembly (2451454)

## Step 6: Flex Drill Assembly

For cleaning bores of KPF303 sleeves when broken bit shanks are still in the bore. For other cleaning applications, use the drill from the front of the block without the flex assembly.

Features:

- 1/4" hex fits any standard drill.
- Flexible drill extension for hard to reach areas.
- Outer surface does not rotate.
- Carbide tipped drill bit gives high performance and long life.



**NOTE: Lubricate flexible drive with two drops of machine oil in each end as needed.**



## Step 7: Tooth Removal (Manual)

Using the U70 padded puller and a hammer. Use puller to wedge between the tool and the sleeve to extract the tooth. Also can use RP puller, order code 1761401.

**NOTE: Always use proper eye and face protection when extracting tools from sleeves.**

KPF 300CH  
(2427191)



## Step 8: Tooth Removal (Air Hammer)

Using the KPF300CH Air Hammer chisel, start with the chisel between the tool and sleeve and wedge the tool out.

**NOTE: Always use proper eye and face protection when extracting tools from sleeves.**

Hydraulic Sleeve  
Removal Set



- Hand pump
- Hydraulic Cylinder
- Gage
- Extractor Washer (2458379)

## Step 9: Hydraulic Sleeve Removal

- Hydraulically assisted removal.
- Flexible hose allows access to tight areas.
- Cylinder can move independently of pump.
- Light, portable design.
- 690 bars (10,000 psi) pump.
- Cylinder rated for 18.14 metric tons (20 tons) at 690 bars (10,000 psi).
- Removes sleeves more efficiently.
- Less physical strain to remove a sleeve.
- Safest way to remove sleeves.

Hydraulic Puller Rod and  
Sleeve Kit (2488006)



Puller Rod  
(2485456)

Puller Shell  
(2458377)

## Step 10: Hydraulic Sleeve Removal

1. Clean toolholder bore.
2. Slide “c” end of puller shell between collar of toolholder and face of base.
3. Insert puller rod through extractor washer, hydraulic cylinder, puller shell and toolholder.
4. Thread puller rod nut fully onto end of rod.
5. Apply pressure to cylinder from pump.
6. If first stroke length of cylinder does not completely remove bushing, release pressure and add spacer between base face and puller shell.





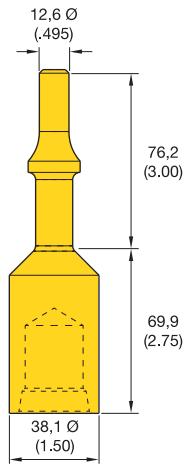
# Accessories

## Table of Contents

Air Hammers .....	75–76
Hammer Punches .....	77
Installation Bits .....	77
Wedge Pullers.....	78
Extractors .....	78
Hammer-Type Pullers .....	79
ECO Pullers.....	79
Hydraulic Sleeve Removal Sets .....	79
Retainers .....	80
Broken Sleeve Removal Assemblies.....	81
Flex Drill Assemblies.....	81

■ KIT 1HD Air Hammer

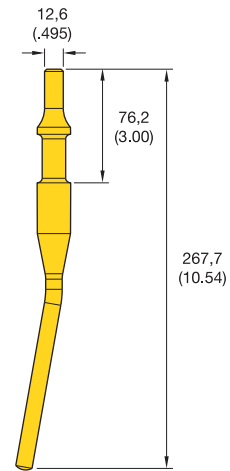
- For fast and safe tool installation.



order number	catalog number
1012244	KIT 1HD AIR HAMMER

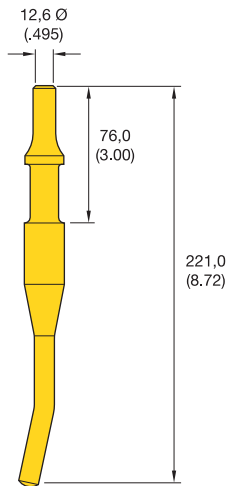
■ KPF300AHP 1HD Air Hammer Punch

- For use with KPF300 system.



order number	catalog number
1850981	KPF300AHP 1HD

■ KAHP 1HD Air Hammer Punch

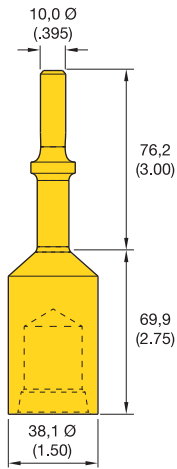


order number	catalog number
1012246	KAHP 1HD AIRHAMMER PUNCH



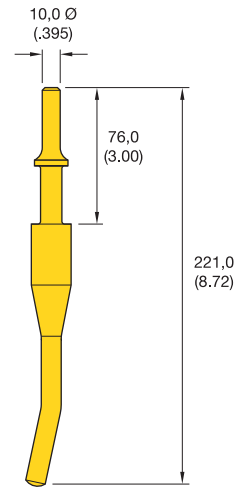
■ KIT 1 Air Hammer

- For fast and safe tool installation.



order number	catalog number
1012243	KIT 1 AIR HAMMER

■ KAHP 1 Air Hammer Punch

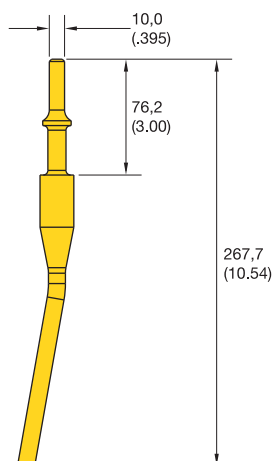


order number	catalog number
1012245	KAHP 1 AIR HAMMER PUNCH

Accessories

■ KPF300 1 Air Hammer Punch

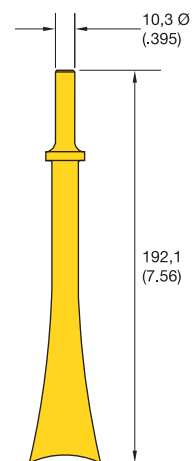
- For use with KPF300 system.



order number	catalog number
1851015	KPF300AHP1

■ KPF300CH Removal Tool

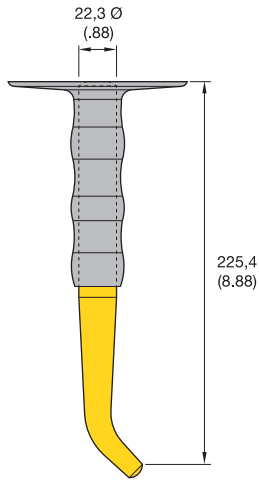
- Drives teeth out from KPF300 system.
- Wedges between tool and holder for easy tool removal.



order number	catalog number
2427191	KPF300CH REMOVAL TOOL

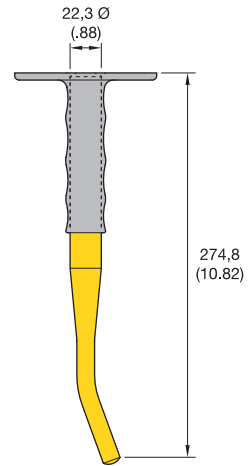


■ KHP2 Hammer Punch



order number	catalog number
1012247	KHP2 KMTL PUNCH

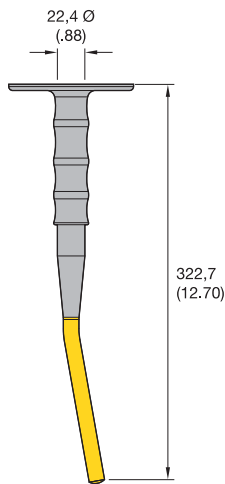
■ KHP3 Hammer Punch



order number	catalog number
1782456	KHP3

■ KPF300H Hammer Punch

- For use with KPF300 system.



order number	catalog number
1851016	KPF300HP

■ KPF Installation Bit

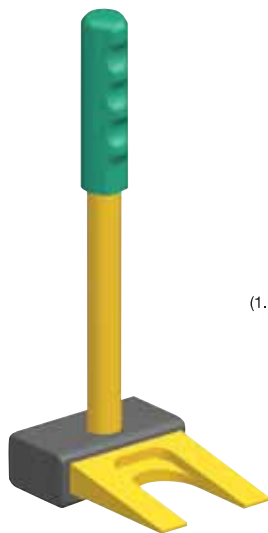
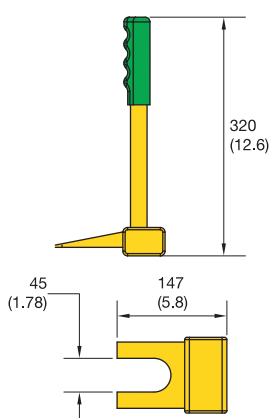
- For installation of KPF200 and KPF300 system bushings and sleeves.



order number	catalog number
1968708	KPF-INSTL BIT

■ KPF301 SHP Wedge Starter

- Starter to remove sleeves from KPF300 system.
- Tough polyurethane padding reduces metal spalling during normal use.

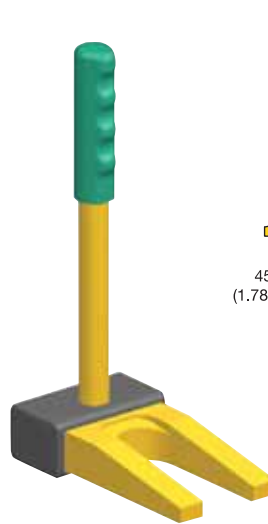
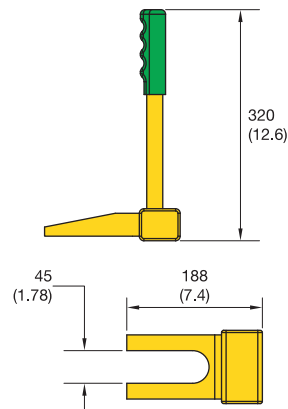


order number  
3395861

catalog number  
KPF301 SHP WEDGE PULLER

■ KPF301 LGP Wedge Finisher

- Finisher to remove sleeves from KPF300 system.
- Tough polyurethane padding reduces metal spalling during normal use.



order number  
3395860

catalog number  
KPF301 LGP WEDGE PULLER

■ U70 Wedge Puller with Pad

- Drives teeth out from KPF300 system.
- Wedges between tool and holder for easy tool removal.

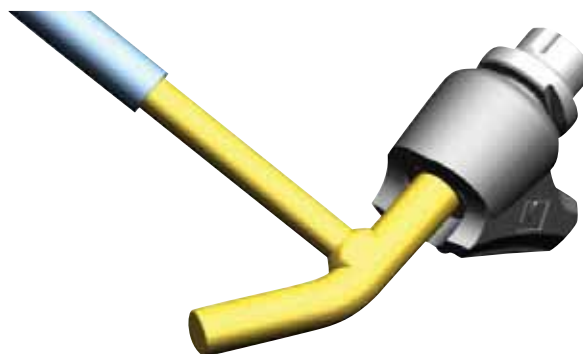


order number  
3043394

catalog number  
U70 PAD COATED PULLER

■ KPF XTRACTOR

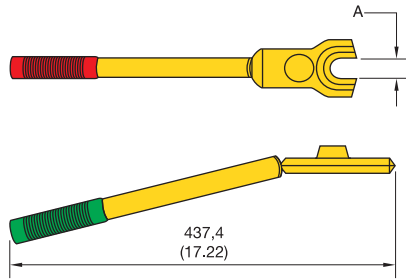
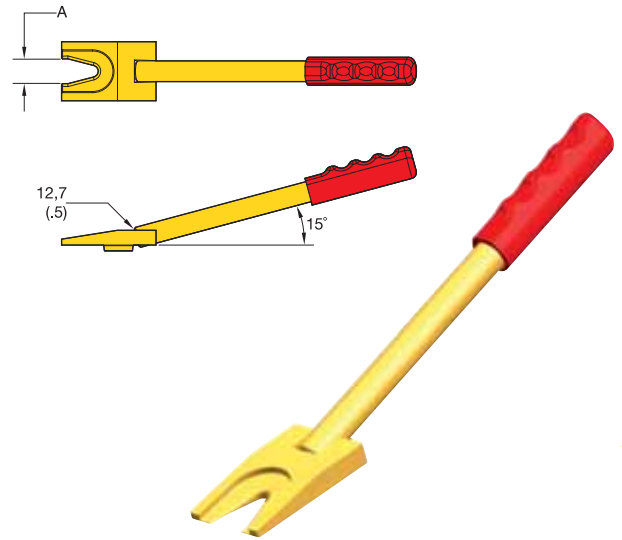
- Drives bushings and sleeves out from KPF200 and KPF300 systems.



order number  
1889501

catalog number  
KPF XTRACTOR

Accessories

**■ Hammer-Type Pullers for Removal of Cutting Tools**

**■ ECO Puller**


order number	catalog number	series	A dimension
4141936	ECO PULLER	ECO Pro	27,0 (1.06)
1761401	RP BIT PULLER ASSEMBLY	RZ, RC	26,0 (1.02)
1012016	C123/U50 HAMMER PULLER	RS, RL, SM, SL	23,1 (.91)

Dimensions shown in millimeters and (inches).


**■ Hydraulic Sleeve Removal Set**

**■ Hydraulic Sleeve Removal Component**


order number	catalog number
2462675	201-301HYDRAULIC SLEEVE REMOVA

order number	catalog number
2458377	KPF300 SLV PULLER SHELL ASSM
2458379	KPF301 HYD EXTRACTOR WASHER
2488006	KPF301 HYD.PULLER ROD & SLEEVE
2485456	KPF301 HYDRAULIC PULLER ROD

■ CM4 Retainer

- For CM42 tools.



■ C21R Retainer

- For C20 series tools.



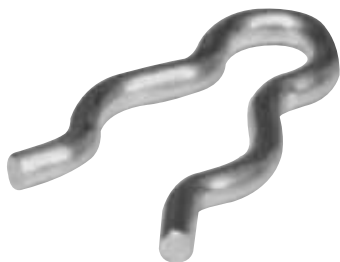
Accessories

order number	catalog number
1012223	CM4 RETAINER

order number	catalog number
1011961	C21R RETAINER

■ CM6H Hair Pin Retainer

- For CM61, CM62, and CM63 tools.



order number	catalog number
177806	CM6H RETAINER

■ Broken Sleeve Removal Assembly

■ Flex Drill Assembly



order number	catalog number
2420449	KPF201 SLEEVE PULLER ASSEMBLY
2273341	KPF301-302 SLEEVE REMOVAL ASSM

order number	catalog number
2451454	KPF301 FLEX DRILL ASSEMBLY

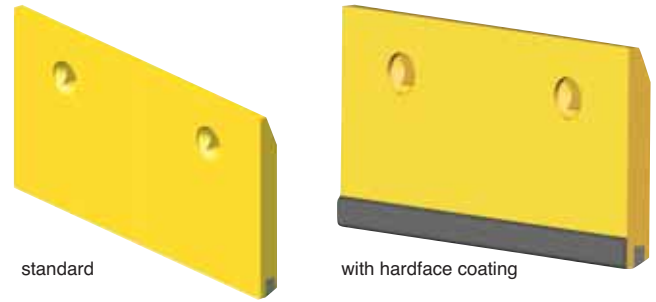
Accessories



# Planer Blades

## Table of Contents

Fits Roadtec Machines.....	83
Fits Caterpillar Machines.....	84
Fits CMI and Terex Machines.....	85–86
Fits Ingersoll Rand Machines .....	87
Fits Dynapac Machines.....	87
Fits Wirtgen Machines.....	88–89
Alternate Style Blades to Fit Wirtgen and Bitelli Machines .....	90



■ **RX40B • 1905mm (75") Drum**

order number	catalog number	hardface coating	blade length		blades per drum
			mm	in	
1012196	PLB44RHF	Yes	1118	44.00	1
1012195	PLB305LHF	Yes	775	30.50	1

■ **RX50/RX500/RX700 • 2006mm (79") Drum**

order number	catalog number	hardface coating	blade length		blades per drum
			mm	in	
1012194	PLB421	No	1067	42.00	1
1012193	PLB361	No	914	36.00	1

■ **RX50B • 1981mm (78") Drum**

order number	catalog number	hardface coating	blade length		blades per drum
			mm	in	
1984421	PLB4288	No	1089	42.88	1
1984420	PLB3438	No	873	34.38	1

■ **RX50B/RX50W/RX60/RX60B**

order number	catalog number	hardface coating	blade length		blades per drum
			mm	in	
1196895	PLB485L	No	1232	48.50	1
1196900	PLB365R	No	927	36.50	1

■ **RX500/RX700/RX900 • 2184mm (86") Drum**

order number	catalog number	hardface coating	blade length		blades per drum
			mm	in	
1196895	PLB485L	No	1232	48.50	1
1196900	PLB365R	No	927	36.50	1

■ **RX50W/RX60**

order number	catalog number	hardface coating	blade length		blades per drum
			mm	in	
1012201	PLB4562	No	1159	45.62	1
1012200	PLB3962	No	1006	39.62	1

■ **RX70/RX100/RX900 • 3810mm (150") Drum**

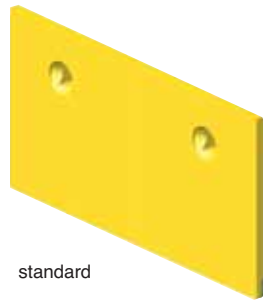
order number	catalog number	hardface coating	blade length		blades per drum
			mm	in	
1012161	PLB48.00	No	1219	48.00	1
1012162	PLB36.00	No	914	36.00	1
1012163	PLB32.62R	No	829	32.62	1

■ **RX60C • 3734mm (147") Drum**

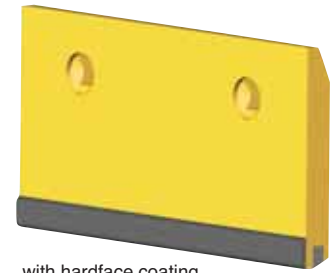
order number	catalog number	hardface coating	blade length		blades per drum
			mm	in	
1012161	PLB48.00	No	1219	48.00	1
1012162	PLB36.00	No	914	36.00	1
2396953	SPLB31R	No	787	31.00	1
2397023	SPLB31L	No	787	31.00	1

NOTE: Special sizes can be manufactured upon request by providing specific blade size and hole spacing.  
 "L" (left), "R" (right), and "C" (center) shown in the blade description are determined by facing the front of the machine.  
 Carbide edge can be severely damaged by manholes, gas boxes, storm drains, or similar surfaces.





standard



with hardface coating

■ PR-450 • 1905mm (75") Drum

order number	catalog number	hardface coating	blade length		blades per drum
			mm	in	
1012173	PLB43	No	1092	43.00	1

■ PR-450 • 2210mm (87") Drum

order number	catalog number	hardface coating	blade length		blades per drum
			mm	in	
1012173	PLB43	No	1092	43.00	1

■ PM201/PM-565 • 2108mm (83") Drum

order number	catalog number	hardface coating	blade length		blades per drum
			mm	in	
1012205	PLB4114L	No	1045	41.14	1
1012206	PLB4114R	No	1045	41.14	1
1611554	PLB4114LHF	Yes	1045	41.14	1
1611555	PLB4114RHF	Yes	1045	41.14	1

■ ER-1000 • 3810mm (150") Drum

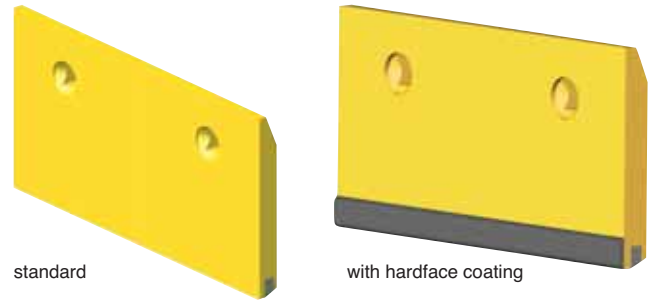
order number	catalog number	hardface coating	blade length		blades per drum
			mm	in	
1012188	PLB4912R	No	1248	49.12	1

■ SS250

order number	catalog number	hardface coating	blade length		blades per drum
			mm	in	
1012379	SS250WB4	No	104	4.08	1
1012378	SS250WB2	No	52	2.05	1

NOTE: Special sizes can be manufactured upon request by providing specific blade size and hole spacing.  
"L" (left), "R" (right), and "C" (center) shown in the blade description are determined by facing the front of the machine.  
Carbide edge can be severely damaged by manholes, gas boxes, storm drains, or similar surfaces.





■ PR-500FL/PR-800-7 • 2175mm (85.62") Drum

order number	catalog number	hardface coating	blade length		blades per drum
			mm	in	
1012192	PLB17	No	432	17.00	5

■ PR-600/PR950 • 2184mm (86") Drum

order number	catalog number	hardface coating	blade length		blades per drum
			mm	in	
1012192	PLB17	No	432	17.00	5
1012155	PLB17HF	Yes	432	17.00	5

■ PR-500FL/PR-650/PR800-7 • 2143mm (84.38") Drum

order number	catalog number	hardface coating	blade length		blades per drum
			mm	in	
1012192	PLB17	No	432	17.00	3
1012155	PLB17HF	Yes	432	17.00	3
1013052	PLB1638L	No	416	16.38	1
1013053	PLB1638R	No	416	16.38	1

■ PR600 • 2616mm (103") Drum

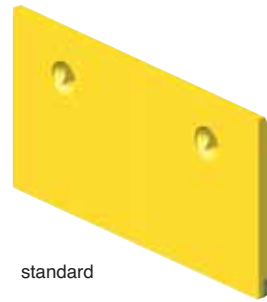
order number	catalog number	hardface coating	blade length		blades per drum
			mm	in	
1012192	PLB17	No	432	17.00	6
1012155	PLB17HF	Yes	432	17.00	6

■ PR 525/PR860/PR800-7/12 • 2143mm (84.38") Drum

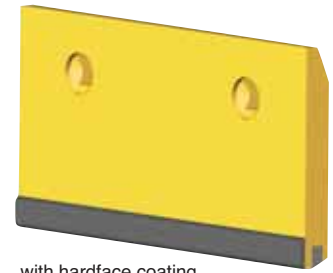
order number	catalog number	hardface coating	blade length		blades per drum
			mm	in	
1254281	PLB125	No	318	12.50	1
1012199	PLB118	No	302	11.88	6
1611568	PLB118HF	Yes	302	11.88	1

NOTE: Special sizes can be manufactured upon request by providing specific blade size and hole spacing.  
 "L" (left), "R" (right), and "C" (center) shown in the blade description are determined by facing the front of the machine.  
 Carbide edge can be severely damaged by manholes, gas boxes, storm drains, or similar surfaces.

Planer Blades



standard



with hardface coating

■ PRT-525RT • 1905mm (75") Drum

order number	catalog number	hardface coating	blade length		blades per drum
			mm	in	
1012202	PLB15N	No	381	15.00	1
1611564	PLB15NHF	Yes	381	15.00	1
1012199	PLB118	No	302	11.88	5
1611568	PLB118HF	Yes	302	11.88	5

■ PR800-7/12/PR1050 • 3810mm (150") Drum

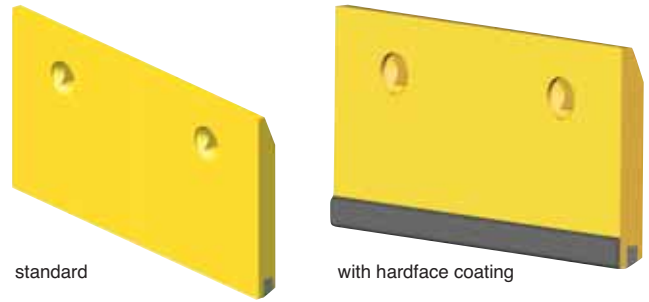
order number	catalog number	hardface coating	blade length		blades per drum
			mm	in	
1012192	PLB17	No	432	17.00	5
1012155	PLB17HF	Yes	432	17.00	5
1012202	PLB15N	No	381	15.00	4
1611564	PLB15NHF	Yes	381	15.00	4
1012204	PLB225	No	57	2.25	2
1611566	PLB225HF	Yes	57	2.25	2

■ PR-1200 • 3810mm (150") Drum

order number	catalog number	hardface coating	blade length		blades per drum
			mm	in	
1012192	PLB17	No	432	17.00	5
1012155	PLB17HF	Yes	432	17.00	5
1012202	PLB15N	No	381	15.00	4
1611564	PLB15NHF	Yes	381	15.00	4

NOTE: Special sizes can be manufactured upon request by providing specific blade size and hole spacing. "L" (left), "R" (right), and "C" (center) shown in the blade description are determined by facing the front of the machine. Carbide edge can be severely damaged by manholes, gas boxes, storm drains, or similar surfaces.

Planer Blades



■ IR 6520/IR 7000 • 1981mm (78") Drum

order number	catalog number	hardface coating	blade length		blades per drum
			mm	in	
1012184	PLB415R	No	1054	41.50	1
1012183	PLB355L	No	902	35.50	1

■ MT2000 • 2000mm (78.75") Drum

order number	catalog number	hardface coating	blade length		blades per drum
			mm	in	
2957565	PLB1555	No	395	15.55	5

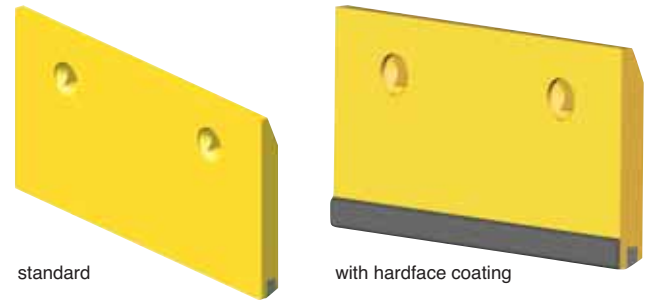
■ MT2185 • 2185mm (86" Drum)

order number	catalog number	hardface coating	blade length		blades per drum
			mm	in	
3077041	PLB1699	No	432	16.99	5

NOTE: Special sizes can be manufactured upon request by providing specific blade size and hole spacing. "L" (left), "R" (right), and "C" (center) shown in the blade description are determined by facing the front of the machine. Carbide edge can be severely damaged by manholes, gas boxes, storm drains, or similar surfaces.

Planer Blades

Fits Dynapac™ Machines



■ PL2000 • 1981mm (78") Drum

order number	catalog number	hardface coating	blade length		blades per drum
			mm	in	
1012184	PLB415R	No	1054	41.50	1
1012183	PLB355L	No	902	35.50	1

NOTE: Special sizes can be manufactured upon request by providing specific blade size and hole spacing. "L" (left), "R" (right), and "C" (center) shown in the blade description are determined by facing the front of the machine. Carbide edge can be severely damaged by manholes, gas boxes, storm drains, or similar surfaces.



K1SB-248R



K1SB-248L



K1SB-248



K1SB-197R



K1SB-100

■ W2000 • 2000mm (78.75") Drum

order number	catalog number	hardface coating	blade length		blades per drum
			mm	in	
2619025	K1SB-248R	No	248	9.76	2
2619024	K1SB-248L	No	248	9.76	2
2618971	K1SB-248	No	248	9.76	6

■ W2000 • 2200mm (86.6") Drum

order number	catalog number	hardface coating	blade length		blades per drum
			mm	in	
2619025	K1SB-248R	No	248	9.76	1
2619024	K1SB-248L	No	248	9.76	2
2618971	K1SB-248	No	248	9.76	7
2619032	K1SB-197R	No	197	7.76	1

■ W2200 • 2200mm (86.6") Drum • Configuration 1

order number	catalog number	hardface coating	blade length		blades per drum
			mm	in	
2619025	K1SB-248R	No	248	9.76	2
2619024	K1SB-248L	No	248	9.76	2
2618971	K1SB-248	No	248	9.76	6
2618970	K1SB-100	No	100	3.94	2

■ W2200 • 2200mm (86.6") Drum • Configuration 2

order number	catalog number	hardface coating	blade length		blades per drum
			mm	in	
2619025	K1SB-248R	No	248	9.76	1
2619024	K1SB-248L	No	248	9.76	2
2618971	K1SB-248	No	248	9.76	7
2619032	K1SB-197R	No	197	7.76	1

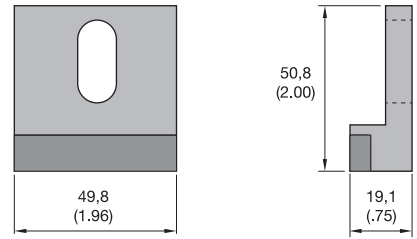
NOTE: Special sizes can be manufactured upon request by providing specific blade size and hole spacing.  
"L" (left), "R" (right), and "C" (center) shown in the blade description are determined by facing the front of the machine.  
Carbide edge can be severely damaged by manholes, gas boxes, storm drains, or similar surfaces.

■ Cross Reference • Kennametal Replacement Blades for Wirtgen Scraper Blades

cross reference: Kennametal scraper blades	Kennametal order number	Kennametal catalog number	hardface coating	blade length		Wirtgen blade part number
				mm	in	
	2618970	K1SB-100	No	100	3.94	56731
	2618968	K1SB-145	No	145	5.71	60117
	2619030	K1SB-145L	No	145	5.71	56335
	2619026	K1SB-145R	No	145	5.71	56336
	2619032	K1SB-197R	No	197	7.76	86195
	2618971	K1SB-248	No	248	9.76	43408
	2619024	K1SB-248L	No	248	9.76	44639
	2619025	K1SB-248R	No	248	9.76	44638
	4074771	K2SB100	No	99	3.90	146459
	4074768	K2SB145RL	No	146	5.75	146460/146461
	4074732	K2SB198RL	No	199	7.84	—
	4074766	K2SB248	No	248	9.76	146456
	4074762	K2SB248L	No	248	9.77	146457
	4074755	K2SB248R	No	248	9.77	146458

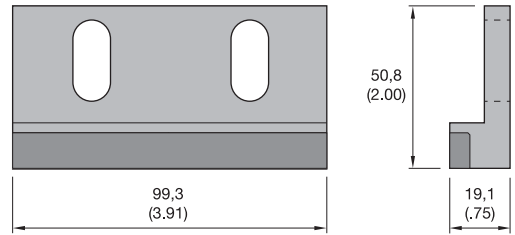
NOTE: Special sizes can be manufactured upon request by providing specific blade size and hole spacing.  
 "L" (left), "R" (right), and "C" (center) shown in the blade description are determined by facing the front of the machine.  
 Carbide edge can be severely damaged by manholes, gas boxes, storm drains, or similar surfaces.





■ **KSB50W**

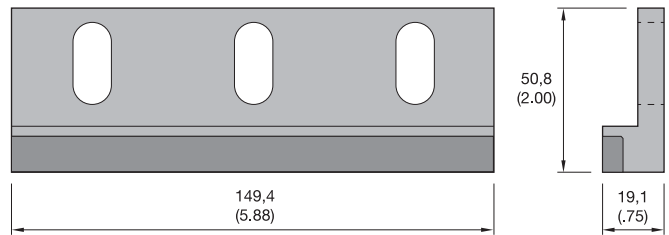
order number	catalog number
1512919	KSB50W



■ **KSB100W**

order number	catalog number
1012376	KSB100W

Planer Blades



■ **KSB150W**

order number	catalog number
1012377	KSB150W

NOTE: Special sizes can be manufactured upon request by providing specific blade size and hole spacing.  
 "L" (left), "R" (right), and "C" (center) shown in the blade description are determined by facing the front of the machine.  
 Carbide edge can be severely damaged by manholes, gas boxes, storm drains, or similar surfaces.

# INTRODUCING

## The New Kennametal Innovations iPad® Application



Available as a **Free Download** from the iTunes® App Store<sup>SM</sup>.



### Now Available

The Kennametal Innovations iPad® app features interactive, cutting-edge animations and real-world demonstrations of Kennametal's productivity-enhancing technologies for machining and industrial processes. With selectable data, it is quick and convenient to compare complimenting and competitive products.

### Easy to Download

Go to the iTunes® App Store<sup>SM</sup>, and search for "Kennametal". Then follow the directions on downloading. It's simple, fast, and free.

### Easy to Use

The simple navigation makes it easy to search via keywords to find specific tooling solutions and product groups. The user-driven navigation map offers drop-down menus with supplemental information, including expandable, and customizable, charts and graphs.



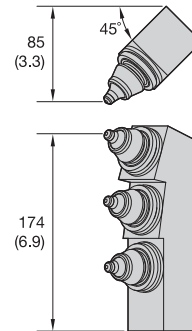
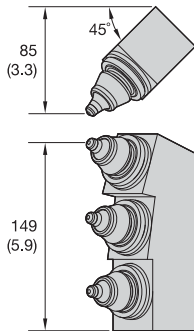
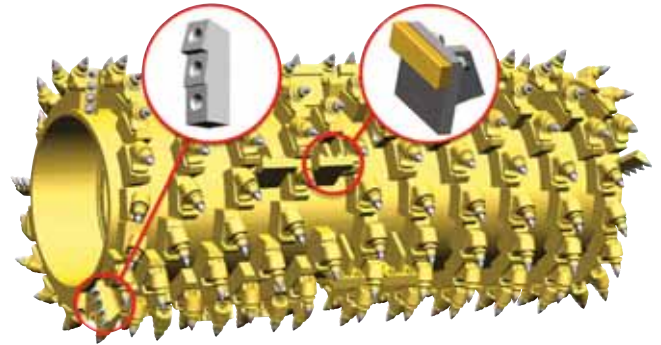
# Road Ready Drum and Machine Components

## Table of Contents

Edge Cutters.....	93
Kicker Plate Assemblies.....	94
Track Pads.....	96–111
Conveyor Rollers.....	112–113
Conveyor Belts.....	114–115
Power Belts .....	116–118



- Completely assembled for easy replacement in the field.
- Pre-designed cutting angles.
- Three sizes available to fit many drum combinations.

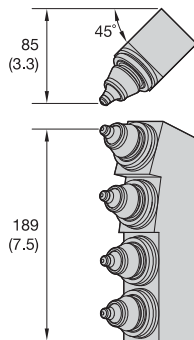


### ■ 3044 Edge Cutter

order number	catalog number
2037958	3044 EDGE CUTTER

### ■ 3046 Edge Cutter

order number	catalog number
2433072	3046 EDGE CUTTER



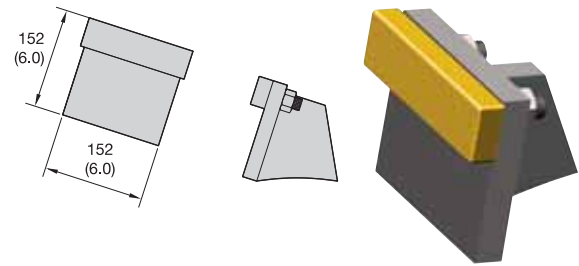
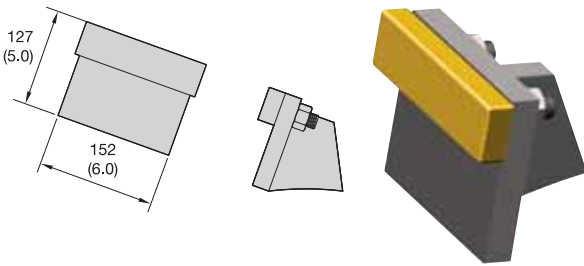
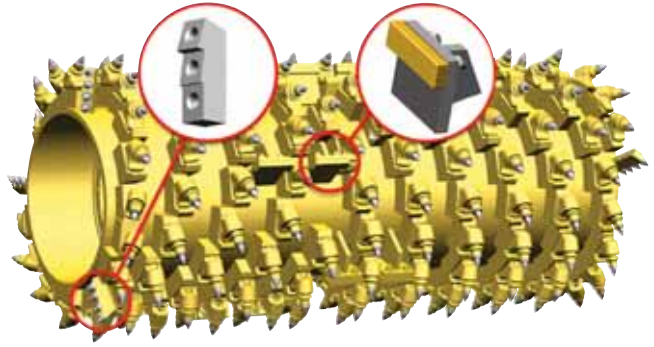
### ■ 3048 Edge Cutter

order number	catalog number
2432317	3048 EDGE CUTTER

### ■ Suggested Number of Components per Drum

order number	tool name	762mm (30") drum diameter and 1117,6mm (44") cut diameter; 177,9mm (7") between drum and cut radius	762mm (30") drum diameter and 1168,4mm (46") cut diameter; 203,2mm (8") between drum and cut radius	762mm (30") drum diameter and 1219,2mm (48") cut diameter; 228,6mm (9") between drum and cut radius
2037958	3044EC	6	2	—
2433072	3046EC	—	4	2
2432317	3048EC	—	—	4

- Completely assembled for easy replacement in the field.
- Pre-designed cutting angles.
- Three sizes available to fit many drum combinations.



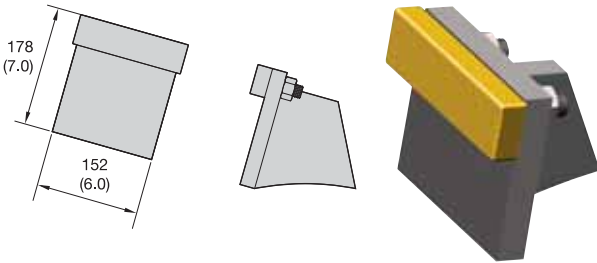
### ■ 3044 Kicker Plate Assembly

order number	catalog number
2248722	3044 KICKER PLATE ASSEMBLY

### ■ 3046 Kicker Plate Assembly

order number	catalog number
2435362	3046 KICKER PLATE ASSEMBLY

Road Ready Drum and Machine Components



### ■ 3048 Kicker Plate Assembly

order number	catalog number
2431848	3048 KICKER PLATE ASSEMBLY

### ■ Suggested Number of Components per Drum

order number	tool name	762mm (30") drum diameter and 1117,6mm (44") cut diameter; 177,9mm (7") between drum and cut radius	762mm (30") drum diameter and 1168,4mm (46") cut diameter; 203,2mm (8") between drum and cut radius	762mm (30") drum diameter and 1219,2mm (48") cut diameter; 228,6mm (9") between drum and cut radius
2248722	3044KP	12	—	—
2435362	3046KP	—	12	—
2431848	3048KP	—	—	12



# PERFORMANCE

## PROVEN RELIABILITY. UNPARALLELED PRODUCTIVITY.

Underground or on the surface, the foundation for a successful mining operation is built on rock-steady forward progress. Kennametal, the world's leading tooling and services provider, is proud to offer SOLID, our solution-focused program that delivers new levels of performance and productivity.

Kennametal's Lean and Six Sigma trained professionals are working to design the safest, most productive solutions for the mining community. With a brainpower consisting of 85 PhDs and over 500 master's degrees, we have produced over 65 patents and have grown to manufacture products in 11 different locations around the world.

In addition to providing our customers with technical support and inventory despite the challenges of recession and boom, Kennametal is constantly evaluating and upgrading our products so you can continue to succeed — resulting in over 2,500 grades and 15 different steel platforms that deliver solid productivity under the most demanding conditions.



# Machine Components • Track Pads

## Table of Contents

### Bolt-On Track Pads

Fits Roadtec Machines.....	98–99
Fits Caterpillar Machines .....	99
Fits Wirtgen Machines .....	100
Fits CMI and Terex Machines .....	101–102
Fits Dynapac Machines.....	102
Bolt-On Order Form .....	110

### Mold-On Track Pads

Fits Roadtec Machines.....	103–104
Fits Caterpillar Machines .....	105
Fits Wirtgen Machines .....	105
Fits CMI and Terex Machines .....	106
Mold-On Order Form.....	111

Power Pads.....	107–109
-----------------	---------

# Track Pads

For more than 40 years, Superior Tire & Rubber Corporation has set the quality and durability standard for OEM and aftermarket rubber and polyurethane heavy-equipment components. All products come with a 100% work-life guarantee, including Superior's world-renowned CUSHOTRAC™ track pad line that has delivered the road-milling industry's absolute best protection against wear in even the most demanding operating conditions.

## CUSHOTRAC Bolt-to-Shoe Ultimate Track Pad

**Improved pad design provides longer life.**

Polyurethane-style pad easily attaches to your grouser shoes and is backed by Superior's unique steel-on-steel contact technology that virtually eliminates loosening and vibration, major causes of premature wear. No need to buy new grouser shoes!



## CUSHOTRAC Bolt-to-Shoe Track Pad

Polyurethane-style pad easily attaches to your grouser shoes and is backed by Superior's unique steel-on-steel contact technology that virtually eliminates loosening and vibration, major causes of premature wear. No need to buy new grouser shoes!



## CUSHOTRAC Mold-On Track Pad

Adhere directly to your grouser shoes with Superior's proprietary mechanical steel-tab bond that facilitates maximum fit and performance, no matter how challenging the job.





CUSHOTRAC™ Standard Bolt-On Pads with Grouser



CUSHOTRAC™ Ultimate Bolt-On Pads

### ■ RX 25, 45

Kennametal order number	Kennametal catalog number	pad type	pad width		bolt order number	bolt catalog number	nut order number	nut catalog number
			mm	in				
4131931	KB140BUL	Ultimate Bolt-To Shoe	355,6	14	—	—	2539475	TN2056312SLN
3330660	KB140B	Bolt-To Shoe	355,6	14	—	—	2539475	TN2056312SLN
2539465	KPD4140625	Pre-Drilled Grouser	355,6	14	2426366	TBCR1251	2426372	TNCR1250
2539466	KPD4140625M	Pre-Drill (Master) Grouser	355,6	14	2426367	TBCR3570	—	—

### ■ RX 40, 45B

Kennametal order number	Kennametal catalog number	pad type	pad width		bolt order number	bolt catalog number	nut order number	nut catalog number
			mm	in				
4131988	KB160BUL	Ultimate Bolt-To Shoe	406,4	16	—	—	2539475	TN2056312SLN
3332200	KB160B	Bolt-To Shoe	406,4	16	—	—	2539475	TN2056312SLN
2539468	KPD4160625	Pre-Drilled Grouser	406,4	16	2426366	TBCR1251	2426372	TNCR1250
2539469	KPD4160625M	Pre-Drill (Master) Grouser	406,4	16	2426367	TBCR3570	—	—

### ■ RX 50A, 60, 70

Kennametal order number	Kennametal catalog number	pad type	pad width		bolt order number	bolt catalog number	nut order number	nut catalog number
			mm	in				
4131988	KB160BUL	Ultimate Bolt-To Shoe	406,4	16	—	—	2539475	TN2056312SLN
3332200	KB160B	Bolt-To Shoe	406,4	16	—	—	2539475	TN2056312SLN
2539470	KPD5160625	Pre-Drilled Grouser	406,4	16	2426366	TBCR1251	2426372	TNCR1250
2539471	KPD5160625M	Pre-Drill (Master) Grouser	406,4	16	2426367	TBCR3570	—	—

### ■ RX500 • 3 Tracked = 304,8mm (12") Front, 355,6mm (14") Rear • 4 Tracked = 304,8mm (12") Front and Rear

Kennametal order number	Kennametal catalog number	pad type	pad width		bolt order number	bolt catalog number	nut order number	nut catalog number
			mm	in				
4131929	KB120BUL	Ultimate Bolt-To Shoe	304,8	12	—	—	2539475	TN2056312SLN
3332201	KB120B	Bolt-To Shoe	304,8	12	—	—	2539475	TN2056312SLN
2539463	KPB2120500	Pre-Drilled Grouser	304,8	12	2426371	TBIN2760	2426375	TNIN1286
4131986	KBP140UL	Ultimate Bolt-To Shoe	355,6	14	—	—	2539475	TN2056312SLN
3392792	KBP140	Bolt-To Shoe	355,6	14	—	—	2539475	TN2056312SLN
*	KPB2140625	Pre-Drilled Grouser	—	—	2426371	TBIN2760	2426375	TNIN1286

\* Call for quote.

### ■ RX700 • 3 Tracked = 355,6mm (14") Front, 406,4mm (16") Rear • 4 Tracked = 355,6mm (14") Front and Rear

Kennametal order number	Kennametal catalog number	pad type	pad width		bolt order number	bolt catalog number	nut order number	nut catalog number
			mm	in				
4131931	KB140BUL	Ultimate Bolt-To Shoe	355,6	14	—	—	2539475	TN2056312SLN
3330660	KB140B	Bolt-To Shoe	355,6	14	—	—	2539475	TN2056312SLN
2539465	KPD4140625	Pre-Drilled Grouser	355,6	14	2426366	TBCR1251	2426372	TNCR1250
4131988	KB160BUL	Ultimate Bolt-To Shoe	406,4	16	—	—	2539475	TN2056312SLN
3332200	KB160B	Bolt-To Shoe	406,4	16	—	—	2539475	TN2056312SLN
2539468	KPD4160625	Pre-Drilled Grouser	406,4	16	2426366	TBCR1251	2426372	TNCR1250



CUSHOTRAC™ Standard Bolt-On Pads with Grouser



CUSHOTRAC™ Ultimate Bolt-On Pads

■ RX900 • 3 Tracked = 355,6mm (14") Front, 406,4mm (16") Rear • 4 Tracked = 355,6mm (14") Front and Rear

Kennametal order number	Kennametal catalog number	pad type	pad width		bolt order number	bolt catalog number	nut order number	nut catalog number
			mm	in				
4131931	KB140BUL	Ultimate Bolt-To Shoe	355,6	14	—	—	2539475	TN2056312SLN
3330660	KB140B	Bolt-To Shoe	355,6	14	—	—	2539475	TN2056312SLN
2608930	KPD5140625	Pre-Drilled Grouser	355,6	14	2426366	TBCR1251	2426372	TNCR1250
4131988	KB160BUL	Ultimate Bolt-To Shoe	406,4	16	—	—	2539475	TN2056312SLN
3332200	KB160B	Bolt-To Shoe	406,4	16	—	—	2539475	TN2056312SLN
2539470	KPD5160625	Pre-Drilled Grouser	406,4	16	2426366	TBCR1251	2426372	TNCR1250

**Bolt-On Track Pads • Fits Caterpillar® Machines**



CUSHOTRAC™ Standard Bolt-On Pads with Grouser



CUSHOTRAC™ Ultimate Bolt-On Pads

■ PM-565B

Kennametal order number	Kennametal catalog number	pad type	pad width		bolt order number	bolt catalog number	nut order number	nut catalog number
			mm	in				
4131931	KB140BUL	Ultimate Bolt-To Shoe	355,6	14	—	—	2539475	TN2056312SLN
3330660	KB140B	Bolt-To Shoe	355,6	14	—	—	2539475	TN2056312SLN
2539465	KPD4140625	Pre-Drilled Grouser	355,6	14	2426366	TBCR1251	2426372	TNCR1250
2539466	KPD4140625M	Pre-Drill (Master) Grouser	355,6	14	2426367	TBCR3570	—	—

■ PR-1000

Kennametal order number	Kennametal catalog number	pad type	pad width		bolt order number	bolt catalog number	nut order number	nut catalog number
			mm	in				
4131990	KB180BUL	Ultimate Bolt-To Shoe	457,2	18	—	—	2539475	TN2056312SLN
3332199	KB180B	Bolt-To Shoe	457,2	18	—	—	2539475	TN2056312SLN
2539473	KPD5180625	Pre-Drilled Grouser	457,2	18	2426366	TBCR1251	2426372	TNCR1250
2539474	KPD5180625M	Pre-Drill (Master) Grouser	457,2	18	2426367	TBCR3570	—	—

Road Ready Drum and Machine Components



CUSHOTRAC™ Standard  
Bolt-On Pads with Grouser



CUSHOTRAC™ Ultimate  
Bolt-On Pads

### ■ W100, W1000, W120, W1200, W130, W1300, W150, W1500, W1900, W200

Kennametal order number	Kennametal catalog number	pad type	pad width		bolt order number	bolt catalog number	nut order number	nut catalog number
			mm	in				
4131928	KB105BUL	Ultimate Bolt-To Shoe	266,7	11	—	—	2539475	TN2056312SLN
2539456	KB105B	Bolt-To Shoe	266,7	11	—	—	2539475	TN2056312SLN
2539462	KPB1105472	Pre-Drilled Grouser	266,7	11	2426370	TBFT694	2426374	TNFT887

### ■ W2000, W210

Kennametal order number	Kennametal catalog number	pad type	pad width		bolt order number	bolt catalog number	nut order number	nut catalog number
			mm	in				
4131929	KB120BUL	Ultimate Bolt-To Shoe	304,8	12	—	—	2539475	TN2056312SLN
3332201	KB120B	Bolt-To Shoe	304,8	12	—	—	2539475	TN2056312SLN
2539463	KPB2120500	Pre-Drilled Grouser	304,8	12	2426371	TBIN2760	2426375	TNIN1286

### ■ W2100, W220

Kennametal order number	Kennametal catalog number	pad type	pad width		bolt order number	bolt catalog number	nut order number	nut catalog number
			mm	in				
4131931	KB140BUL	Ultimate Bolt-To Shoe	355,6	14	—	—	2539475	TN2056312SLN
3330660	KB140B	Bolt-To Shoe	355,6	14	—	—	2539475	TN2056312SLN
2539467	KPD4140562	Pre-Drilled Grouser	355,6	14	2426368	TBCR429	2426373	TNCR1968

### ■ W2200, W250

Kennametal order number	Kennametal catalog number	pad type	pad width		bolt order number	bolt catalog number	nut order number	nut catalog number
			mm	in				
4131931	KB140BUL	Ultimate Bolt-To Shoe	355,6	14	—	—	2539475	TN2056312SLN
3330660	KB140B	Bolt-To Shoe	355,6	14	—	—	2539475	TN2056312SLN
2608930	KPD5140625	Pre-Drilled Grouser	355,6	14	2426366	TBCR1251	2426372	TNCR1250





CUSHOTRAC™ Standard  
Bolt-On Pads with Grouser



CUSHOTRAC™ Ultimate  
Bolt-On Pads

■ PR 450

Kennametal order number	Kennametal catalog number	pad type	pad width		bolt order number	bolt catalog number	nut order number	nut catalog number
			mm	in				
4131929	KB120BUL	Ultimate Bolt-To Shoe	304,8	12	—	—	2539475	TN2056312SLN
3332201	KB120B	Bolt-To Shoe	304,8	12	—	—	2539475	TN2056312SLN
2539464	KPD3120562	Pre-Drilled Grouser	304,8	12	2426369	TBCR4595	2426376	TNIN1319
2608925	KPD3120562M	Pre-Drill (Master) Grouser	304,8	12	2426367	TBCR3570	—	—

■ PR 500

Kennametal order number	Kennametal catalog number	pad type	pad width		bolt order number	bolt catalog number	nut order number	nut catalog number
			mm	in				
4131931	KB140BUL	Ultimate Bolt-To Shoe	355,6	14	—	—	2539475	TN2056312SLN
3330660	KB140B	Bolt-To Shoe	355,6	14	—	—	2539475	TN2056312SLN
2539465	KPD4140625	Pre-Drilled Grouser	355,6	14	2426366	TBCR1251	2426372	TNCR1250
2539466	KPD4140625M	Pre-Drill (Master) Grouser	355,6	14	2426367	TBCR3570	—	—

■ PR 525-7 • 304,8mm (12")

Kennametal order number	Kennametal catalog number	pad type	pad width		bolt order number	bolt catalog number	nut order number	nut catalog number
			mm	in				
4131929	KB120BUL	Ultimate Bolt-To Shoe	304,8	12	—	—	2539475	TN2056312SLN
3332201	KB120B	Bolt-To Shoe	304,8	12	—	—	2539475	TN2056312SLN
2539464	KPD3120562	Pre-Drilled Grouser	304,8	12	2426369	TBCR4595	2426376	TNIN1319
2608925	KPD3120562M	Pre-Drill (Master) Grouser	304,8	12	2426367	TBCR3570	—	—

■ PR 525-7 • 355,6mm (14")

Kennametal order number	Kennametal catalog number	pad type	pad width		bolt order number	bolt catalog number	nut order number	nut catalog number
			mm	in				
4131931	KB140BUL	Ultimate Bolt-To Shoe	355,6	14	—	—	2539475	TN2056312SLN
3330660	KB140B	Bolt-To Shoe	355,6	14	—	—	2539475	TN2056312SLN
*	KPD3140562	Pre-Drilled Grouser	355,6	14	2426369	TBCR4595	2426376	TNIN1319
*	KPD3140562M	Pre-Drill (Master) Grouser	355,6	14	2493215	TBCR3623	—	—

\* Call for quote.

■ PR 800-7 • 355,6mm (14") Front Tracks

Kennametal order number	Kennametal catalog number	pad type	pad width		bolt order number	bolt catalog number	nut order number	nut catalog number
			mm	in				
4131931	KB140BUL	Ultimate Bolt-To Shoe	355,6	14	—	—	2539475	TN2056312SLN
3330660	KB140B	Bolt-To Shoe	355,6	14	—	—	2539475	TN2056312SLN
2539465	KPD4140625	Pre-Drilled Grouser	355,6	14	2426366	TBCR1251	2426372	TNCR1250
2539466	KPD4140625M	Pre-Drill (Master) Grouser	355,6	14	2426367	TBCR3570	—	—

■ PR 800-7 • 406,4mm (16") Rear Track

Kennametal order number	Kennametal catalog number	pad type	pad width		bolt order number	bolt catalog number	nut order number	nut catalog number
			mm	in				
4131988	KB160BUL	Ultimate Bolt-To Shoe	406,4	16	—	—	2539475	TN2056312SLN
3332200	KB160B	Bolt-To Shoe	406,4	16	—	—	2539475	TN2056312SLN
2539468	KPD4160625	Pre-Drilled Grouser	406,4	16	2426366	TBCR1251	2426372	TNCR1250
2539469	KPD4160625M	Pre-Drill (Master) Grouser	406,4	16	2426367	TBCR3570	—	—

Road Ready Drum and Machine Components



CUSHOTRAC™ Standard Bolt-On Pads with Grouser



CUSHOTRAC™ Ultimate Bolt-On Pads

### ■ PR 800-7 • 457,2mm (18") Rear Track

Kennametal order number	Kennametal catalog number	pad type	pad width		bolt order number	bolt catalog number	nut order number	nut catalog number
			mm	in				
4131990	KB180BUL	Ultimate Bolt-To Shoe	457,2	18	—	—	2539475	TN2056312SLN
3332199	KB180B	Bolt-To Shoe	457,2	18	—	—	2539475	TN2056312SLN
2539473	KPD5180625	Pre-Drilled Grouser	457,2	18	2426366	TBCR1251	2426372	TNCR1250
2539474	KPD5180625M	Pre-Drill (Master) Grouser	457,2	18	2426367	TBCR3570	—	—

### ■ PR 600

Kennametal order number	Kennametal catalog number	pad type	pad width		bolt order number	bolt catalog number	nut order number	nut catalog number
			mm	in				
4131931	KB140BUL	Ultimate Bolt-To Shoe	355,6	14	—	—	2539475	TN2056312SLN
3330660	KB140B	Bolt-To Shoe	355,6	14	—	—	2539475	TN2056312SLN
2539465	KPD4140625	Pre-Drilled Grouser	355,6	14	2426366	TBCR1251	2426372	TNCR1250
2539466	KPD4140625M	Pre-Drill (Master) Grouser	355,6	14	2426367	TBCR3570	—	—

### ■ PR 1050/PR1100

Kennametal order number	Kennametal catalog number	pad type	pad width		bolt order number	bolt catalog number	nut order number	nut catalog number
			mm	in				
4131988	KB160BUL	Ultimate Bolt-To Shoe	406,4	16	—	—	2539475	TN2056312SLN
3332200	KB160B	Bolt-To Shoe	406,4	16	—	—	2539475	TN2056312SLN
2539468	KPD4160625	Pre-Drilled Grouser	406,4	16	2426366	TBCR1251	2426372	TNCR1250
2539469	KPD4160625M	Pre-Drill (Master) Grouser	406,4	16	2426367	TBCR3570	—	—

### ■ PR950

Kennametal order number	Kennametal catalog number	pad type	pad width		bolt order number	bolt catalog number	nut order number	nut catalog number
			mm	in				
4131988	KB160BUL	Ultimate Bolt-To Shoe	406,4	16	—	—	2539475	TN2056312SLN
3332200	KB160B	Bolt-To Shoe	406,4	16	—	—	2539475	TN2056312SLN
2539470	KPD5160625	Pre-Drilled Grouser	406,4	16	2426366	TBCR1251	2426372	TNCR1250
2539471	KPD5160625M	Pre-Drill (Master) Grouser	406,4	16	2426367	TBCR3570	—	—

## Bolt-On Track Pads • Fits Dynapac™ Machines



CUSHOTRAC™ Standard Bolt-On Pads with Grouser



CUSHOTRAC™ Ultimate Bolt-On Pads

### ■ PL2000/PL2100

Kennametal order number	Kennametal catalog number	pad type	pad width		bolt order number	bolt catalog number	nut order number	nut catalog number
			mm	in				
4131929	KB120BUL	Ultimate Bolt-To Shoe	304,8	12	—	—	2539475	TN2056312SLN
3332201	KB120B	Bolt-To Shoe	304,8	12	—	—	2539475	TN2056312SLN
2539463	KPB2120500	Pre-Drilled Grouser	304,8	12	2426371	TBIN2760	2426375	TNIN1286



CUSHOTRAC™ Mold-On Pads

■ **RX 25, 45**

Kennametal order number	Kennametal catalog number	pads per track	bolt order number	bolt catalog number	nut order number	nut catalog number
2426364	KMD4140625	22 front, 25 rear	2426366	TBCR1251	2426372	TNCR1250

■ **RX 25, 45 Master**

Kennametal order number	Kennametal catalog number	pads per track	bolt order number	bolt catalog number	nut order number	nut catalog number
2426365	KMD4140625M	1	2426367	TBCR3570	—	—

■ **RX 40, 45B**

Kennametal order number	Kennametal catalog number	pads per track	bolt order number	bolt catalog number	nut order number	nut catalog number
2426346	KMD4160625	22 front, 25 rear	2426366	TBCR1251	2426372	TNCR1250

■ **RX 40, 45B Master**

Kennametal order number	Kennametal catalog number	pads per track	bolt order number	bolt catalog number	nut order number	nut catalog number
2426347	KMD4160625M	1	2426367	TBCR3570	—	—

■ **RX 50A, 60, 70**

Kennametal order number	Kennametal catalog number	pads per track	bolt order number	bolt catalog number	nut order number	nut catalog number
2426348	KMD5160625	24	2426366	TBCR1251	2426372	TNCR1250

■ **RX 50A, 60, 70 Master**

Kennametal order number	Kennametal catalog number	pads per track	bolt order number	bolt catalog number	nut order number	nut catalog number
2426349	KMD5160625M	1	2426367	TBCR3570	—	—

■ **RX60 Rear 508mm (20")**

Kennametal order number	Kennametal catalog number	pads per track	bolt order number	bolt catalog number	nut order number	nut catalog number
2426351	KMD5200625	24	2426366	TBCR1251	2426372	TNCR1250

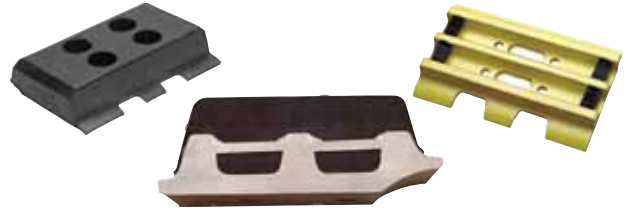
■ **RX60 Rear Master**

Kennametal order number	Kennametal catalog number	pads per track	bolt order number	bolt catalog number	nut order number	nut catalog number
2426352	KMD5200625M	1	2426367	TBCR3570	—	—

■ **RX500 • 3 Tracked Front**

Kennametal order number	Kennametal catalog number	pads per track	bolt order number	bolt catalog number	nut order number	nut catalog number
2426343	KMB2120500	—	2426371	TBIN2760	2426375	TNIN1286

NOTE: Some older Roadtec™ products have 93 regular pads per set. Always ask if there is a Master Link.



CUSHOTRAC™ Mold-On Pads

■ RX500 • 3 Tracked Rear

Kennametal order number	Kennametal catalog number	pads per track	bolt order number	bolt catalog number	nut order number	nut catalog number
*	KMB2140500	—	2426371	TBIN2760	2426375	TNIN1286

\* Call for quote.

■ RX500 • 4 Tracked All

Kennametal order number	Kennametal catalog number	pads per track	bolt order number	bolt catalog number	nut order number	nut catalog number
2426343	KMB2120500	—	2426371	TBIN2760	2426375	TNIN1286

■ RX700 • 3 Tracked Front

Kennametal order number	Kennametal catalog number	pads per track	bolt order number	bolt catalog number	nut order number	nut catalog number
2426364	KMD4140625	—	2426366	TBCR1251	2426372	TNCR1250

■ RX700 • 3 Tracked Rear

Kennametal order number	Kennametal catalog number	pads per track	bolt order number	bolt catalog number	nut order number	nut catalog number
2426346	KMD4160625	—	2426366	TBCR1251	2426372	TNCR1250

■ RX700 • 4 Tracked All

Kennametal order number	Kennametal catalog number	pads per track	bolt order number	bolt catalog number	nut order number	nut catalog number
2426364	KMD4140625	—	2426366	TBCR1251	2426372	TNCR1250

■ RX900 • 3 Tracked Front

Kennametal order number	Kennametal catalog number	pads per track	bolt order number	bolt catalog number	nut order number	nut catalog number
2426344	KMD5140625	—	2426366	TBCR1251	2426372	TNCR1250

■ RX900 • 3 Tracked Rear

Kennametal order number	Kennametal catalog number	pads per track	bolt order number	bolt catalog number	nut order number	nut catalog number
2426348	KMD5160625	—	2426366	TBCR1251	2426372	TNCR1250

■ RX900 • 4 Tracked All

Kennametal order number	Kennametal catalog number	pads per track	bolt order number	bolt catalog number	nut order number	nut catalog number
2426344	KMD5140625	—	2426366	TBCR1251	2426372	TNCR1250

NOTE: Some older Roadtec™ products have 93 regular pads per set. Always ask if there is a Master Link.



CUSHOTRAC™ Mold-On Pads

■ PM-465

Kennametal order number	Kennametal catalog number	pads per set	bolt order number	bolt catalog number	nut order number	nut catalog number
2426330	KME7100500	30	2426371	TBIN2760	2426375	TNIN1286

■ PM-565B

Kennametal order number	Kennametal catalog number	pads per set	bolt order number	bolt catalog number	nut order number	nut catalog number
2426364	KMD4140625	25	2426366	TBCR1251	2426372	TNCR1250
2426365	KMD4140625M	1	2426367	TBCR3570	—	—

■ PR-1000

Kennametal order number	Kennametal catalog number	pads per set	bolt order number	bolt catalog number	nut order number	nut catalog number
2426350	KMD4180625	30	2426366	TBCR1251	2426372	TNCR1250
2438073	KMD4180625M	1	2426367	TBCR3570	—	—

Mold-On Track Pads • Fits Wirtgen™ Machines



CUSHOTRAC™ Mold-On Pads

■ Wirtgen W100, W1000, W120, W1200, W130, W1300, W150, W1500, W1900

Kennametal order number	Kennametal catalog number	pads per set	bolt order number	bolt catalog number	nut order number	nut catalog number
2426331	KMB1105472	24	2426370	TBFT694	2426374	TNFT887

■ Wirtgen 2000

Kennametal order number	Kennametal catalog number	pads per set	bolt order number	bolt catalog number	nut order number	nut catalog number
2426343	KMB2120500	23	2426371	TBIN2760	2426375	TNIN1286

■ Wirtgen 2100

Kennametal order number	Kennametal catalog number	pads per set	bolt order number	bolt catalog number	nut order number	nut catalog number
2426363	KMD4140562	25	2426368	TBCR429	2426373	TNCR1968

■ Wirtgen 2200

Kennametal order number	Kennametal catalog number	pads per set	bolt order number	bolt catalog number	nut order number	nut catalog number
2426344	KMD5140625	26	2426366	TBCR1251	2426372	TNCR1250

Road Ready Drum and Machine Components



CUSHOTRAC™ Mold-On Pads

■ PR 450

Kennametal order number	Kennametal catalog number	pads per set	bolt order number	bolt catalog number	nut order number	nut catalog number
2426332	KMD3120562	27	2426369	TBCR4595	2426376	TNIN1319
2499665	KMD3120562M	1	2426367	TBCR3570	—	—

■ PR 500

Kennametal order number	Kennametal catalog number	pads per set	bolt order number	bolt catalog number	nut order number	nut catalog number
2426364	KMD4140625	30	2426366	TBCR1251	2426372	TNCR1250
2426365	KMD4140625M	1	2426367	TBCR3570	—	—

■ PR 525-7

Kennametal order number	Kennametal catalog number	pads per set	bolt order number	bolt catalog number	nut order number	nut catalog number
2426332	KMD3120562	31	2426369	TBCR4595	2426376	TNIN1319
2499665	KMD3120562M	1	2426367	TBCR3570	—	—

■ PR 800-7 • 355,6mm (14")

Kennametal order number	Kennametal catalog number	pads per set	bolt order number	bolt catalog number	nut order number	nut catalog number
2426364	KMD4140625	30	2426366	TBCR1251	2426372	TNCR1250
2426365	KMD4140625M	1	2426367	TBCR3570	—	—

■ PR 800-7 • 457,2mm (18")

Kennametal order number	Kennametal catalog number	pads per set	bolt order number	bolt catalog number	nut order number	nut catalog number
2426350	KMD4180625	30	2426366	TBCR1251	2426372	TNCR1250
2438073	KMD4180625M	1	2426367	TBCR3570	—	—

■ PR 600

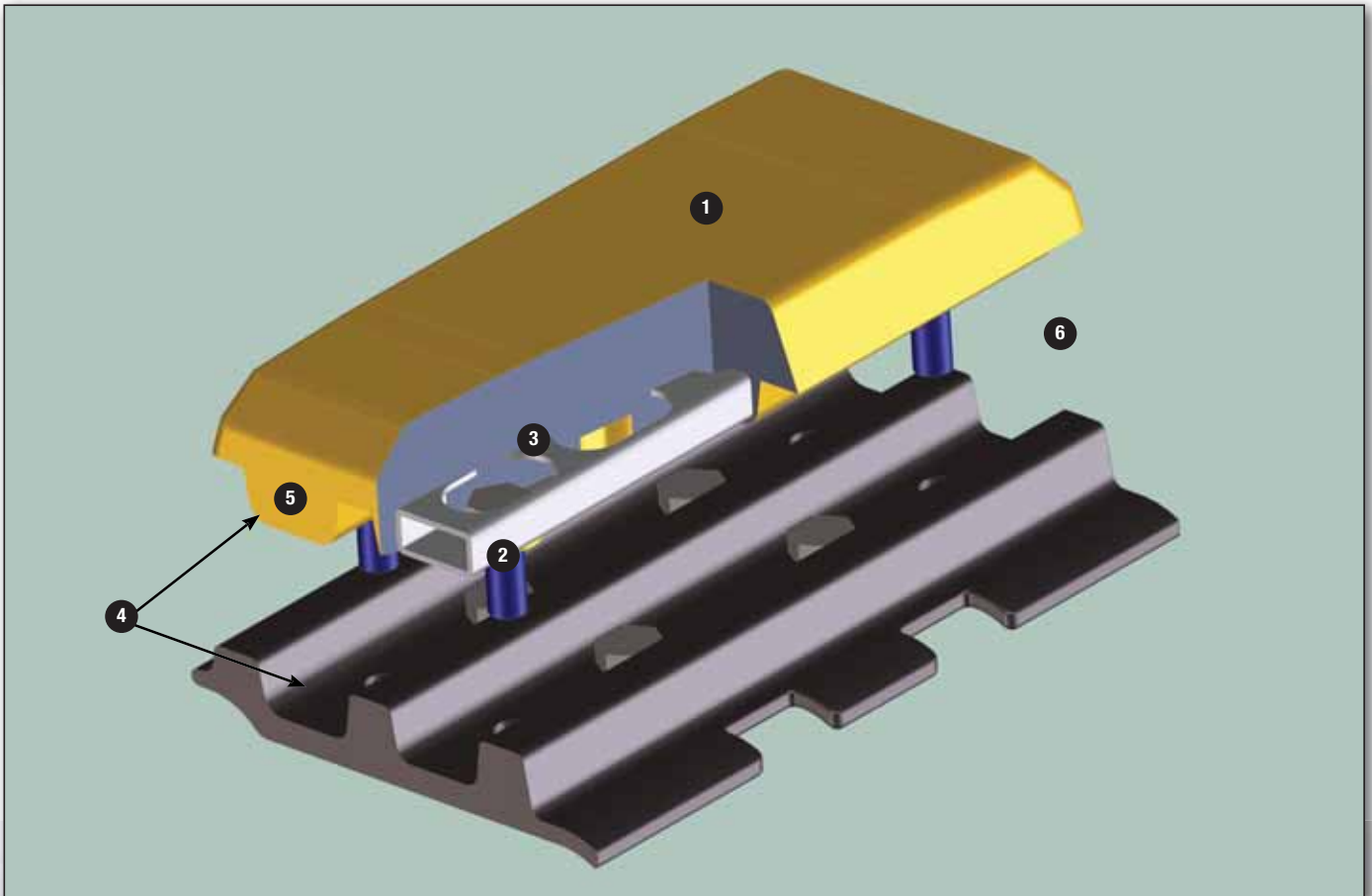
Kennametal order number	Kennametal catalog number	pads per set	bolt order number	bolt catalog number	nut order number	nut catalog number
2426364	KMD4140625	32	2426366	TBCR1251	2426372	TNCR1250

■ PR 1050 or 1100

Kennametal order number	Kennametal catalog number	pads per set	bolt order number	bolt catalog number	nut order number	nut catalog number
2426348	KMD5160625	30	2426366	TBCR1251	2426372	TNCR1250
2426347	KMD4160625M	1	2426367	TBCR3570	—	—

Road Ready Drum and Machine Components

# Benefits of Power Pads

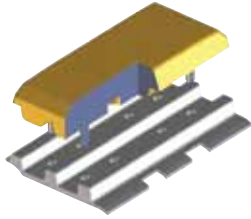


- 1 Long life and best traction through balanced polyurethane composition.
- 2 Due to special manufacturing process, no bondage failures.
- 3 Highest load capabilities due to high-strength bolts and nuts; optimized bondage of the polyurethane with the bolts by gearing with the grouser profile.
- 4 Form-locked joint enables a perfect fit in the grouser, ensuring low forces on the bolt connection. No loosening of the nuts.
- 5 No overhang at the sides ensures no peeling of the pads — even when cornering.
- 6 No special tooling for installation needed. With the stud system, installation time can be greatly reduced. When changing worn pads, nuts can be easily loosened — even on the jobsite.

NOTE: This product is available for sale in EMEA only.

### Power Pad Sets

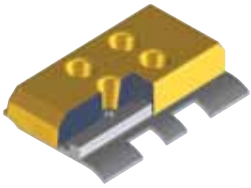
machine type	OEM part number	Kennametal order number	pads per set	description	size
W 1000 F, W 1200 F, W 1300 F, W 100 F, W 120 F, W 130 F, W 150	2063504	5362632	20	Power Pad set	B1 / 260mm
1300-2000 DC W 1500, W 1900, W 2000	2063505	5374435	24	Power Pad set	B1 / 260mm
W 2000, W 210	2063506	5362633	23	Power Pad set	B3 / 300mm
W 2100, W 220	2063649	5374436	24	Power Pad set	B4 / 350mm
2100 VC, 2100 DC	2063507	5528282	25	Power Pad set	B4 / 350mm
W 2200, W 250	2063650	5528283	26	Power Pad set	B5 / 360mm



NOTE: Each set includes Power Pads and nuts for one track.  
This product is available for sale in EMEA only.

### Standard Pad Sets

machine type	OEM part number	Kennametal order number	pads per set	description	size
W 1000 F, W 1200 F, W 1300 F, W 100 F, W 120 F, W 130 F, W 150, SP 150	162455	5378696	20	Standard Pad set	B1 / 260mm
1300-2000 DC W 1500, W 1900	85186	5378771	24	Standard Pad set	B1 / 260mm
W 2000	162456	5378772	23	Standard Pad set	B3 / 300mm
W 2100	165045	5378773	24	Standard Pad set	B4 / 350mm
2100 VC, 2100 DC	85236	5378774	25	Standard Pad set	B4 / 350mm
W 2200	130346	5378775	26	Standard Pad set	B5 / 360mm



NOTE: Each set includes Standard Pads, nuts, and bolts for one track.  
This product is available for sale in EMEA only.

### Track Chains without Pads


machine type	OEM part number	Kennametal order number	links per chain	description	size
W 1000 F, W 1200 F, W 1300 F, W 100 F, W 120 F, W 130 F, W 150, SP 150	131296	5389969	20	track chain	B1 / 20 links
1300-2000 DC W 1500, W 1900	108750	5390090	24	track chain	B1 / 24 links
W 2000, W 210	121236	5390091	23	track chain	B3 / 23 links
W 2100, W 220	191688	5390092	24	track chain	B4 / 24 links
2100 VC, 2100 DC	43357	5390093	25	track chain	B4 / 25 links
W 2200, W 250	176322	5390094	26	track chain	B5 / 26 links



NOTE: This product is available for sale in EMEA only.




■ **Track Chains with Standard Pads**

	machine type	OEM part number	Kennametal order number	links per chain	description	size
	W 1000 F, W 1200 F, W 1300 F, W 100 F, W 120 F, W 130 F, W 150	<b>131303</b>	<b>5513388</b>	20	Standard-Chain set	B1 / 20 links
	1300-2000 DC W 1500, W 1900, W 200	<b>108756</b>	<b>5513389</b>	24	Standard-Chain set	B1 / 24 links
	W 2000, W 210	<b>121235</b>	<b>5513510</b>	23	Standard-Chain set	B3 / 23 links
	W 2100	<b>193228</b>	<b>5513511</b>	24	Standard-Chain set	B4 / 24 links
	2100 VC, 2100 DC	<b>43358</b>	<b>5513512</b>	25	Standard-Chain set	B4 / 25 links
	W 2200	<b>176321</b>	<b>5513513</b>	26	Standard-Chain set	B5 / 26 links

NOTE: Track chains completely assembled with Standard Pads.  
This product is available for sale in EMEA only.

■ **Track Chains with Power Pads and Grouser**

	machine type	OEM part number	Kennametal order number	links per chain	description	size
	W 1000 F, W 1200 F, W 1300 F, W 100 F, W 120 F, W 130 F, W 150	<b>2121472</b>	<b>5325054</b>	20	Power Pad-Chain set	B1 / 20 links
	1300-2000 DC W 1500, W 1900, W 200	<b>2136667</b>	<b>5325055</b>	24	Power Pad-Chain set	B1 / 24 links
	W 2000, W 210	<b>2136665</b>	<b>5362631</b>	23	Power Pad-Chain set	B3 / 23 links

NOTE: Track chains completely assembled with grouser and Power Pads.  
This product is available for sale in EMEA only.

### Bolt-to-Shoe Pads for Triple Bar Shoes

Use this Custom-Order Worksheet to modify an existing product to meet your specifications. If your custom requirements do not fall into these categories, simply contact your Kennametal Distributor.

Trust our experienced distributors and Kennametal engineering team to design the best solution for you.

**1. Start with the standard product most similar to your specifications:**

Machine Mfg:	<input type="text"/>	Model #:	<input type="text"/>
OEM Shoe Part #:	<input type="text"/>	Master Links (circle one):	Yes <input type="checkbox"/> No <input type="checkbox"/>
Mounting Design:	<input type="text" value="Bolt-to-Shoe"/>	Number of Bars:	<input type="text" value="3"/>

**2. Grouser Shoe and Pad Dimensions (please fill in all dimensions):**

Shoe Width:	A _____	Pad Bolt Size:	H _____
Shoe Bolt Pattern to Link:	B _____	Grouser Plate Thickness:	I _____
	C _____	Grouser Bar Height:	J _____
	D _____	Grouser Bar Width:	K _____
Shoe Bolt-Hole ID:	E _____	Distance Between Bars:	L _____
Length:	F _____	Distance Between Bars:	M _____
Bolt Pattern to Pad:	G _____	Bolt Pattern to Pad:	N _____

**3. Compound:**

<input type="checkbox"/> Rubber	<input type="checkbox"/> Rubber with wire	<input type="checkbox"/> Poly (95A)	<input type="checkbox"/> Soft Poly (85A)
<input type="checkbox"/> Other (Please specify): _____			

**4. Quantity required:**

**5. Price:**  
Contact your Authorized Kennametal Distributor partners.

**6. Other comments or special characteristics:**

customer company name	date
address	phone number
city, state, zip	fax number
customer contact	customer email address
sales representative	

## Mold-On Track Pads

Use this Custom-Order Worksheet to modify an existing product to meet your specifications. If your custom requirements do not fall into these categories, simply contact your Kennametal Distributor.

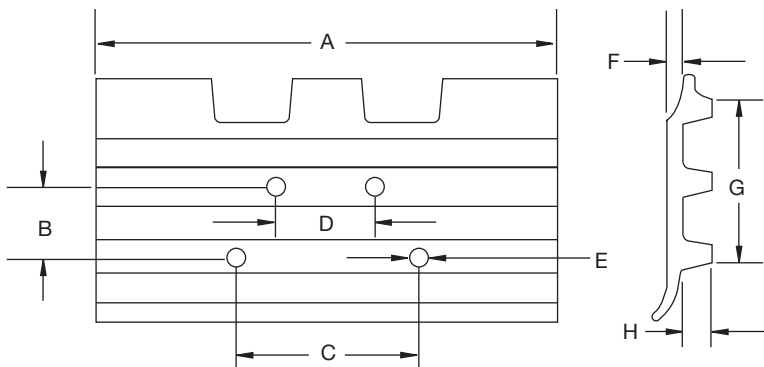
Trust our experienced distributors and Kennametal engineering team to design the best solution for you.

### 1. Start with the standard product most similar to your specifications:

Machine Mfg:	<input type="text"/>	Model #:	<input type="text"/>
OEM Shoe Part #:	<input type="text"/>	Master Links (circle one):	Yes <input type="checkbox"/> No <input type="checkbox"/>
Mounting Design:	<input type="text" value="Mold-On"/>		

### 2. Chain Link and Pad Dimensions (please fill in all dimensions):

Shoe Width:	A _____	Bolt-Hole ID:	E _____
Shoe Bolt Pattern:	B _____	Grouse Plate Thickness:	F _____
	C _____	Grouser Bar Width:	G _____
	D _____	Shoe Height:	H _____



### 3. Compound:

Rubber
  Rubber with wire
  Poly (95A)
  Soft Poly (85A)
  Other (Please specify): \_\_\_\_\_

### 4. Quantity required:

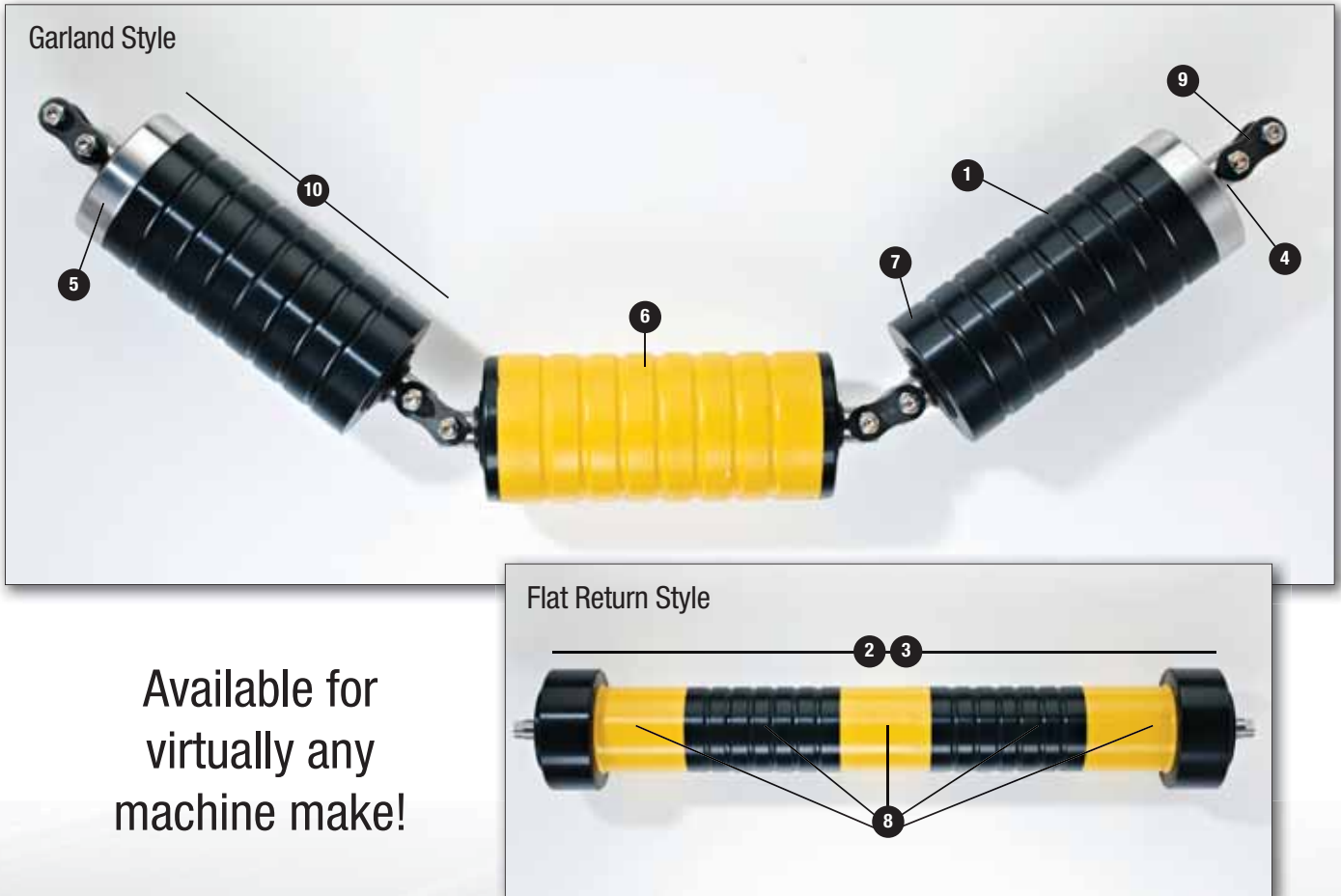
### 5. Price:

Contact your Authorized Kennametal Distributor partners.

### 6. Other comments or special characteristics:

customer company name	date
address	phone number
city, state, zip	fax number
customer contact	customer email address
sales representative	

# Garland and Flat Return Conveyor Rollers



Available for  
virtually any  
machine make!

- 1 No rock buildup! That means no extra weight, no damaged belts.
- 2 Lightweight assembly enables easier installation and handling!
- 3 Outlasts competitive models!
- 4 25mm shafts with ultra-secure, long-life bearings held firmly in place by snap rings!
- 5 1" steel rings protect wing rolls from excessive wear when belt comes off track.
- 6 Center segments made of super-tough, heavy-duty urethane-based material.

- 7 Wing sections are constructed of solid polyethylene (UHMW-PE) for maximum abrasion resistance! In addition, heat buildup and belt damage are minimized.
- 8 Five wear points prevent roller from being cut in half by "chevron" configuration of belt.
- 9 Links actually thicker versus OEM offerings!
- 10 Extra-long design reduces gaps between center and wing rolls, ensuring better belt tracking and maintenance!

- Durable
- Economical
- Lightweight
- Warranted



Garland Style



Flat Return Style

■ W1000F, W1200F, W1300F • Model 06.10

order number	catalog number	type/size
4156145	KM-ICGUIDEROLL	Idle pulley
4155357	KM-IC600G	Garland B600
4155358	KM-IC600-G	Garland B600
4155537	KM-IC600FR	Flat Roller B600

■ W1000F, W1200F, W1300F • Model 07.10

order number	catalog number	type/size
4156145	KM-ICGUIDEROLL	Idle pulley
4155357	KM-IC600G	Garland B600
4155358	KM-IC600-G	Garland B600
4155537	KM-IC600FR	Flat Roller B600

■ W100F, W120F, W130F

order number	catalog number	type/size
4156145	KM-ICGUIDEROLL	Idle pulley
4155357	KM-IC600G	Garland B600
4155358	KM-IC600-G	Garland B600
4155537	KM-IC600FR	Flat Roller B600

■ 1300-2000DC

order number	catalog number	type/size
4156145	KM-ICGUIDEROLL	Idle pulley
4156035	KM-IC800-G	Garland B800
4156002	KM-IC800G	Garland B800
4156024	KM-IC800FR	Flat Roller B800

■ W1500, W1900

order number	catalog number	type/size
4156145	KM-ICGUIDEROLL	Idle pulley
4156035	KM-IC800-G	Garland B800
4156002	KM-IC800G	Garland B800
4156024	KM-IC800FR	Flat Roller B800

■ W150

order number	catalog number	type/size
4156145	KM-ICGUIDEROLL	Idle pulley
4155357	KM-IC600G	Garland B600
4155358	KM-IC600-G	Garland B600
4155537	KM-IC600FR	Flat Roller B600

■ W2000

order number	catalog number	type/size
4156145	KM-ICGUIDEROLL	Idle pulley
4156035	KM-IC800-G	Garland B800
4156036	KM-IC800-FR	Flat Roller B800

■ 2100DC

order number	catalog number	type/size
4156145	KM-ICGUIDEROLL	Idle pulley
4156041	KM-IC1000FR-D	Flat Roller B1000

■ W2100

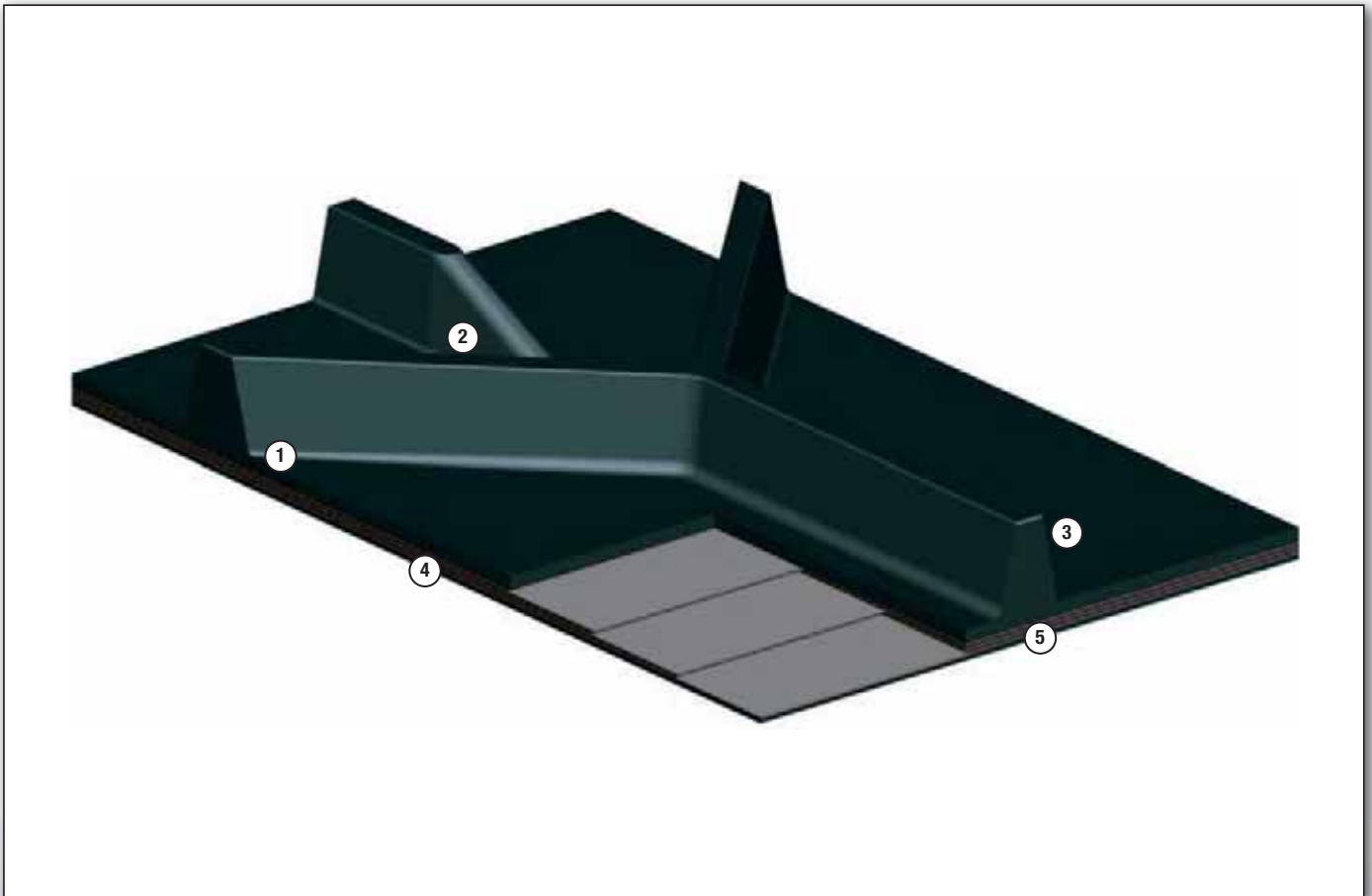
order number	catalog number	type/size
4156145	KM-ICGUIDEROLL	Idle pulley
4156039	KM-IC1000G	Garland B1000
4156072	KM-IC1000FR-L	Flat Roller B1000
4156041	KM-IC1000FR-D	Flat Roller B1000

■ W2200

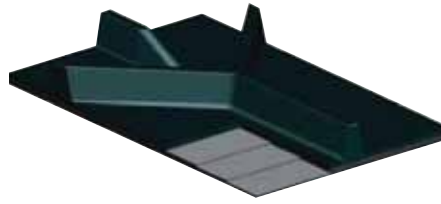
order number	catalog number	type/size
4156145	KM-ICGUIDEROLL	Idle pulley
4156094	KM-IC1100G	Garland B1100
4156098	KM-IC1100FR-L	Flat Roller B1100
4156095	KM-IC1100FR-D	Flat Roller B1100



# Conveyor Belts



- 1 Transverse profile design.
- 2 High cleats for maximum capacity.
- 3 High abrasion resistance.
- 4 High tensile strength for maximum lifetime.
- 5 Cleat and upper layer manufactured in one process step for maximum reliability.



■ W 500

order number	catalog number	conveyor type
4141522	DISCHARGEBELTB400S	Discharge Conveyor

■ W 50 DC

order number	catalog number	conveyor type
4141522	DISCHARGEBELTB400S	Discharge Conveyor

■ W 1000

order number	catalog number	conveyor type
4141544	DISCHARGEBELTB500	Discharge Conveyor

■ W 1000 F, W1200 F (6.10)

order number	catalog number	conveyor type
4141545	LOADINGBELTB600S	Loading Conveyor
4141547	DISCHARGEBELTB600	Discharge Conveyor

■ W 100 F, W 120 F, W 130 F

order number	catalog number	conveyor type
4141549	LOADINGBELTB650S	Loading Conveyor
4141547	DISCHARGEBELTB600	Discharge Conveyor

■ W 1500, W 1900

order number	catalog number	conveyor type
4141550	LOADINGBELTB800S	Loading Conveyor
4141551	DISCHARGEBELTB800	Discharge Conveyor

■ W 2000

order number	catalog number	conveyor type
4147160	LOADINGBELTB800L	Loading Conveyor
4141551	DISCHARGEBELTB800	Discharge Conveyor

■ W 2100

order number	catalog number	conveyor type
4141564	LOADINGBELTB1000	Loading Conveyor
4141566	DISCHARGEBELTB1000L	Discharge Conveyor

■ W 50

order number	catalog number	conveyor type
4141522	DISCHARGEBELTB400S	Discharge Conveyor

■ W 600 DC, W 1000 L

order number	catalog number	conveyor type
4141543	DISCHARGEBELTB400L	Discharge Conveyor

■ W 60, W 100

order number	catalog number	conveyor type
4141544	DISCHARGEBELTB500	Discharge Conveyor

■ W 1000 F, W1200 F (7.10)

order number	catalog number	conveyor type
4141548	LOADINGBELTB600L	Loading Conveyor
4141547	DISCHARGEBELTB600	Discharge Conveyor

■ 1300-2000 DC

order number	catalog number	conveyor type
4141550	LOADINGBELTB800S	Loading Conveyor
4141551	DISCHARGEBELTB800	Discharge Conveyor

■ W 150

order number	catalog number	conveyor type
4141552	LOADINGBELTB650L	Loading Conveyor
4141547	DISCHARGEBELTB600	Discharge Conveyor

■ 2100 DC

order number	catalog number	conveyor type
4141564	LOADINGBELTB1000	Loading Conveyor
4141565	DISCHARGEBELTB1000S	Discharge Conveyor

■ W 2200

order number	catalog number	conveyor type
4141567	LOADINGBELTB1100	Loading Conveyor
4141568	DISCHARGEBELTB1100	Discharge Conveyor

Road Ready Drum and Machine Components

# Power Belts



- 1 Highly wear resistant, multi-layered woven sheathing.
- 2 Fiber-reinforced CR-plate.
- 3 Polyester rope for high power transmission and impact load.
- 4 Multi-layered tear-resistant cover plate with woven fabric inlay.
- 5 Base made from flexible high performance CR-blend.





■ W 350 (to Machine Number 0594)

order number	catalog number	quantity per set (pieces)
4141786	POWERBELT6-3VX560/1422LA	1

■ W 350 E

order number	catalog number	quantity per set (pieces)
4141786	POWERBELT6-3VX560/1422LA	1

■ W 600 DC, W 1000 L

order number	catalog number	quantity per set (pieces)
4141823	POWERBELT3-5V1250-3175LA	2

■ W 1000

order number	catalog number	quantity per set (pieces)
4141827	POWERBELT4-5V1250/3175LA	2

■ W 60, W 100

order number	catalog number	quantity per set (pieces)
4141828	POWERBELT3-5V1022/2596LA	2

■ W 1000 F, W 1200 F, W 1300 F

order number	catalog number	quantity per set (pieces)
4141829	POWERBELT4-5V1083/2750LA	2

■ W 100 F, W 120 F, W 130 F

order number	catalog number	quantity per set (pieces)
4141832	POWERBELT5-5V1134/2880LA	2

■ 1300-2000 DC Series 05.20

order number	catalog number	quantity per set (pieces)
4141864	POWERBELT5-5V1600/4064LA	2

■ W 1500, W 1900 (Standard, without FCS)

order number	catalog number	quantity per set (pieces)
4141865	POWERBELT5-5V1650/4190LA	2

■ W 150

order number	catalog number	quantity per set (pieces)
4141864	POWERBELT5-5V1600/4064LA	2

■ W 2000

order number	catalog number	quantity per set (pieces)
4141866	POWERBELT4-5V1720/4368LA	3

■ 2100 DC, WR 2500, WR 2500 S

order number	catalog number	quantity per set (pieces)
4141867	POWERBELT4-5V1800/4572LA	3

■ W 2100

order number	catalog number	quantity per set (pieces)
4141868	POWERBELT4-5V1998/5074LA	3

■ W 2200

order number	catalog number	quantity per set (pieces)
4141870	POWERBELT5-5V2120/5385LA	3





■ W 2200 (Milling Width 3500–4300mm) • 2x Needed

order number	catalog number	quantity per set (pieces)
4141872	POWERBELT5-5V1338/3398LA	3

■ WR 2000

order number	catalog number	quantity per set (pieces)
4141913	POWERBELT5-5V2244/5700LA	2

■ WR 2400

order number	catalog number	quantity per set (pieces)
4141914	POWERBELT6-5V2244/5700LA	2

■ WS 2200, WS 2500 • 2x Needed

order number	catalog number	quantity per set (pieces)
4141915	POWERBELT4-5V1170/2972LA	1

■ WS 220, WS 250 • 2x Needed

order number	catalog number	quantity per set (pieces)
4141916	POWERBELT4-5V1097/2786LA	1







# Wear Solutions

## Table of Contents

KenCast.....	121
Tri-Braze.....	122
Tri-Braze Dura-Plus .....	123
Super-C.....	124
Prime Arc.....	125



# KenCast™

## Road Rehabilitation takes your tooling equipment through rough conditions

**KenCast parts are unique because no one makes wear parts like Kennametal. These extremely durable wear-resistant parts are manufactured in our own foundry.**

Your equipment runs in abrasive conditions. Protect your investment with Kennametal KenCast composite material. It combines the exceptional wear resistance of Kennametal cemented tungsten carbide with the toughness and practicality of air-hardened steel.

Use KenCast parts on:

### Reclamation Equipment

- Pedestal protectors
- Side cleaner bars

### Road Planing Equipment

- Kicker plates
- Drag shoes
- Quick-change block-base protectors

### Trenching Equipment

- Base segment protection

### KenCast Parts Are:

- Easier to apply and tougher than brazed-on solid carbide tiles.
- Longer lasting and easier to apply than hardfacing material.
- More wear resistant than standard or AR-type steels.
- Better at protecting the carbide particles than embedded weld overlays.



# Tri-Braze™

## Impact- and Abrasion-Resistant Alloy Steel

Designed to tackle your toughest abrasion and impact applications, Tri-Braze combines a balance of alloying elements with controlled heat treating and extremely low sulfur for an ideal hardness/toughness ratio.

Tri-Braze is the standard by which all other impact- and abrasion-resistant alloy steels are measured.

### Features and Benefits

- High hardness for better wear resistance (444 BHN).
- Balanced alloy steel chemistry for optimum hardness/toughness ratio.
- Extremely low sulfur content, fine-grain structure, and excellent internal cleanliness provides the highest impact resistance in the industry.
- Tri-Braze chemistry and processing ensures full hardness throughout the plate and avoids the soft middle of lesser quality plates.
- Long performance life and less downtime lowers overall maintenance costs.
- Tri-Braze chemistry provides excellent weldability in field conditions.
- Available in thicknesses up to 254mm (10"), widths up to 3048mm (120"), and lengths up to 7315mm (288").



# Tri-Braze™ Dura-Plus™

## The Next Generation of Abrasion-Resistant Alloy Steel

Tri-Braze Dura-Plus is the next step in the evolution of abrasion- and impact-resistant alloy steels. This proprietary technology provides a combination of hardness, toughness, formability, and weldability that is unavailable in any other wear plate.

Tri-Braze Dura-Plus is designed for extreme wear conditions. It is the perfect choice for liners, chutes, cutting edges, and blades in mining, quarrying, earth moving, manufacturing, and material handling applications.

### Features and Benefits

- Average hardness exceeds 470 BHN.
- Longest performance life in the industry reduces downtime to lower overall maintenance costs.
- Tri-Braze Dura-Plus chemistry provides excellent weldability in field conditions.
- Balanced alloy steel chemistry for optimum hardness/toughness ratio.
- Extremely low sulfur content, fine-grain structure, and excellent internal cleanliness provides the highest impact resistance in the industry.
- Tri-Braze Dura-Plus chemistry and processing ensures full hardness throughout the plate and avoids the soft middle of lesser quality plates.
- Available in thicknesses up to 20mm (3/4"), widths up to 3048mm (120"), and lengths up to 5880mm (240").



# Super-C™

## Chromium Carbide Abrasion-Resistant Plate

Super-C is a chromium carbide overlay, wear-resistant plate with a mild steel base for weldability. The Kennametal Tricon™ unique cladding process produces a harder, tougher, and more wear-resistant surface, making Super-C superior to other chromium carbide plates.

### Features and Benefits

- Mild steel base plate can be easily welded, bolted, or studded to existing structures.
- Can be applied to nickel-based, stainless, and other steel substrates.
- Ideal for severe-abrasion and moderate-impact applications.
- Maximum carbide concentration and alignment throughout the proprietary process.
- Consistent hardness and controlled chemistry.
- Excellent impact, abrasion, corrosion, and heat resistance.
- Proprietary herringbone pattern breaks up flow channels and premature plate wear, regardless of installation direction.





# Prime Arc™

## Welding Consumables

Prime Arc welding consumables are designed to provide our customers with the highest quality hard surfacing, build-up, and joining products available in the industry.

More than 35 years of welding and fabrication experience has enabled us to develop a unique product line that provides extended service life while reducing costly downtime.

### **Joining**

Prime Arc joining electrodes and wires are formulated for field welding under the most difficult field conditions. We have a full line of electrodes and wires designed to join high-strength abrasion-resistant steel, manganese steel, and dissimilar metals.

### **Build-Up**

Rebuilt parts often exceed OEM specifications for service life. Prime Arc build-up consumables are used for repairing and resurfacing expensive, worn parts.

### **Hard Surfacing**

Whatever your wear problem, there is a Prime Arc wire designed for your needs. We have a full line of chromium carbide, complex carbide, tungsten carbide, manganese, martensitic, and tool steel consumables that can handle hard rock, earth moving, metal-to-metal, and other demanding applications.

### **Tubular**

Our unique tubular hard-surfacing rods provide extremely high deposition rates and are available in a variety of chromium and tungsten carbide formulations.

Order No.	Catalog No.	Page(s)	Order No.	Catalog No.	Page(s)	Order No.	Catalog No.	Page(s)	Order No.	Catalog No.	Page(s)
1010778	CM42 K3560	37	1850981	KPF300AHP 1HD	75	2539474	KPD5180625M	99, 102	4141828	POWERBELT3-5V1022/2596LA	117
1010827	CM41 K3560	37	1851015	KPF300AHP1	76	2539475	TN2056312SLN	98-102	4141829	POWERBELT4-5V1083/2750LA	117
1010862	RC2-01P K706	34	1851016	KPF300HP	77	2608925	KPD3120562M	101	4141832	POWERBELT5-5V1134/2880LA	117
1010865	RC1-01P K706	34	1858587	SLB01 - G	63	2608930	KPD5140625	99-100	4141864	POWERBELT5-5V1600/4064LA	117
1011565	QC100 BASE ASSEMBLY	59	1870578	QC110HDG	59	2618968	K1SB-145 K3030C	89	4141865	POWERBELT5-5V1650/4190LA	117
1011961	C21R RETAINER	80	1873505	KPF301 BASE	55	2618970	K1SB-100 K3030C	88-89	4141866	POWERBELT4-5V1720/4368LA	117
1012016	C123/U50 HAMMER PULLER	79	1876905	CM65 K706	40	2618971	K1SB-248 K3030C	88-89	4141867	POWERBELT4-5V1800/4572LA	117
1012155	PLB17HF K3030C	85-86	1877503	CM64 K3560MH	39	2619024	K1SB-248L K3030C	88-89	4141868	POWERBELT4-5V1998/5074LA	117
1012161	PLB48.00 K3030C	83	1886760	C3RB BLOCK	64	2619025	K1SB-248R K3030C	88-89	4141870	POWERBELT5-5V2120/5385LA	117
1012162	PLB36.00 K3030C	83	1889501	KPF XTRACTOR	78	2619026	K1SB-145R K3030C	89	4141872	POWERBELT5-5V1338/3398LA	118
1012163	PLB32.62R K3030C	83	1898353	CM6B-L	65	2619030	K1SB-145L K3030C	89	4141913	POWERBELT5-5V2244/5700LA	118
1012173	PLB43 K3030C	84	1920103	CM66 K3560MH	40	2619032	K1SB-197R K3030C	88-89	4141914	POWERBELT6-5V2244/5700LA	118
1012183	PLB355L K3030C	87	1968708	KPF-INSTL BIT	77	2957565	PLB1555 K3030C	87	4141916	POWERBELT4-5V1170/2972LA	118
1012184	PLB415R K3030C	87	1971419	KPF201 BLOCK	56	2992199	CB10 PLASTIC CAP	58	4141936	ECO PULLER	79
1012188	PLB4912R K3030C	84	1984420	PLB3438 K3030C	83	2992200	K101 RETAINING SCREW	58	41417160	LOADINGBELTB800L	115
1012192	PLB17 K3030C	85-86	1984421	PLB4288 K3030C	83	3043394	U70 PAD COATED PULLER	87	4155357	KM-IC600G	113
1012193	PLB361 K3030C	83	2037958	3044 EDGE CUTTER	93	3077041	PLB1699 K3030C	78	4155358	KM-IC600-G	113
1012194	PLB421 K3030C	83	2047904	RZ2-01P K706	27	3085973	RZ5-01 K706	31	4155357	KM-IC600FR	113
1012195	PLB305LHF K3030C	83	2248722	3044 KICKER PLATE ASSEMBLY	94	3087915	KPF200 R BUSHING	56	4156024	KM-IC800FR	113
1012196	PLB44RHF K3030C	83	2255442	RZ1-01PSW K706	26	3098678	RZ3-01P K706	28	4156035	KM-IC800-G	113
1012199	PLB118 K3030C	85-86	2273341	KPF301-302 SLEEVE REMOVAL ASSM	81	3098679	RZ3-01 K706	28	4156036	KM-IC800-FR	113
1012200	PLB3962 K3030C	83	2396953	SPLB31R K3030C	83	3121183	RZ4-01 K706	29	4156039	KM-IC1000G	113
1012201	PLB4562 K3030C	83	2397023	SPLB31L K3030C	83	3121185	RZ4-02P K706	29	4156041	KM-IC1000FR-D	113
1012202	PLB15M K3030C	86	2426343	KPF201 SLEEVE PULLER ASSEMBLY	81	3330660	KB140B	98-102	4156072	KM-IC1000FR-L	113
1012204	PLB225 K3030C	86	2426344	KME7100500	105	3332199	KB180B	99, 102	4156094	KM-IC1100G	113
1012205	PLB4114L K3030C	84	2426331	KMB1105472	105	3332200	KB160B	98-99, 101-102	4156095	KM-IC1100FR-D	113
1012206	PLB4114R K3030C	84	2426332	KMD3120562	106	3332201	KB120B	98, 100-102	4156098	KM-IC1100FR-L	113
1012223	CM4 RETAINER	80	2426343	KMB2120500	103-105	3362297	RZ5-02 K706	31	4161122	RZ1-PT7 K706	32
1012234	C87 - G	63	2426344	KMD5140625	104-105	3392792	KBP140	98	4177689	RX3-02 K706	24
1012238	KB250 K3055	48	2426346	KMD4160625	103-104	3395860	KPF301 SHP WEDGE PULLER	78	5031028	CM65 BLOCK	65
1012239	AR350ST	47	2426347	KMD4160625M	103, 106	3395861	KPF301 LHP WEDGE PULLER	78	5124922	RZ34 K706	33
1012240	AR150 87 K3055	47	2426348	KMD5160625	103-104, 106	3479742	CB10HD PLASTIC CAP	57	5325054	Track Chain B1-20 complete PP	109
1012241	AR150 87ST TOOTH	47	2426349	KMD5160625M	103	3479793	CB10HD RETAINING SCREW	57	5325055	Track Chain B1-24 complete PP	109
1012242	KB250ST	48	2426350	KMD4180625	105-106	3484075	CB10HD BLOCK	57	5328732	KPR302 BASE	55
1012243	KIT 1 AIR HAMMER	76	2426351	KMD5200625	103	3484075	CB10HD BLOCK	57	5328733	KPL302 BASE	55
1012244	KIT 1HD AIR HAMMER	75	2426352	KMD5200625M	103	3545505	KPF303R	54	5362631	Track Chain B3-23 complete PP	109
1012245	KAHF 1 AIR HAMMER PUNCH	76	2426363	KMD4140562	105	3581370	RZ4-03P K706	30	5362632	Trackpad B1-20 PP Set	108
1012246	KAHF 1HD AIRHAMMER PUNCH	75	2426364	KMD4140625	103-106	3581371	RZ4-03 K706	30	5362633	Trackpad B3-23 PP Set	108
1012247	KHP2 KMTL PUNCH	77	2426365	KMD4140625M	103, 105-106	3659312	RZ3-02 K706	28	5374435	Trackpad B1-24 PP Set	108
1012258	AR350T K3055	47	2426366	TBCR1251	98-106	3734969	RZ3-02P K706	29	5374436	Trackpad B4-24 PP Set	108
1012275	C87B	63	2426367	TBCR3570	98-99, 101-103, 105-106	3779730	RZ1-02 K706	26	5378696	Trackpad B1-20 ST Set	108
1012277	C10 BLOCK	64	2426368	TBCR429	100, 105	3779730	RZ1-02 K706	26	5378771	Trackpad B1-24 ST Set	108
1012278	C10H BLOCK	64	2426369	TBCR4595	101, 106	3781368	CB10HD SEAL	57	5378772	Trackpad B3-23 ST Set	108
1012280	C10H BLOCK	64	2426370	TBCR4595	101, 106	3788408	RZ2-03P K706	27	5378773	Trackpad B4-24 ST Set	108
1012281	CM64 BLOCK	65	2426371	TBN2760	98, 100, 102-105	3792222	RZ2-02P K706	27	5378774	Trackpad B4-25 ST Set	108
1012282	AR35 BLOCK	61	2426372	TNCR1250	98-106	3838604	CB10HD-87 BLOCK	57	5378775	Trackpad B5-26 ST Set	108
1012283	QC110 B BLOCK BASE	60	2426373	TNCR1968	100, 105	3843791	KPF303RX	54	5389969	Track Chain B1-20	108
1012284	QC110H HOLDER	60	2426374	TNCR1968	100, 105	3853304	RZ4-04	30	5390090	Track Chain B1-24	108
1012285	C10AMC BLOCK	62	2426375	TNFT887	100, 105	3888955	SZ1-01 K3560	44	5390091	Track Chain B3-23	108
1012289	C10HD BLOCK	64	2426376	TNIN1286	98, 100, 102-105	3888954	SZ3-01 K706	44	5390092	Track Chain B4-24	108
1012290	C87HDS - G	63	2426377	TNIN1319	101, 106	3898542	SZ2-01 K706	25	5390093	Track Chain B4-25	108
1012293	QC110 87 HOLDER	60	2427191	KPF300CX REMOVAL TOOL	76	3968163	RX4-01 K706	44	5390094	Track Chain B5-26	108
1012296	KB250 BLOCK	61	2431848	3048 KICKER PLATE ASSEMBLY	94	4003271	RX3-01 K706	25	5513388	Track Chain B1-20 complete ST	109
1012297	C10RL BLOCK	62	2432317	3048 EDGE CUTTER	93	4046816	RX2-01 K706	24	5513389	Track Chain B1-24 complete ST	109
1012298	C87RL - G	62	2433072	3046 EDGE CUTTER	93	4063850	SZ4-01 K706	25	5513510	Track Chain B3-23 complete ST	109
1012307	AR300C BLOCK	61	2435362	3046 KICKER PLATE ASSEMBLY	94	4071237	RX1-01 K706	24	5513511	Track Chain B4-25 complete ST	109
1012345	C10LG BLOCK	62	2438073	KMD4180625M	105-106	4071251	SZ6-01T K706	45	5513512	Track Chain B4-25 complete ST	109
1012364	C10AM C10LG BASE	62	2451454	KPF301 FLEX DRILL ASSEMBLY	81	4071252	SZ5-01T K706	45	5513513	Track Chain B5-26 complete ST	109
1012376	KS100W K3030C	90	2458377	KPF300 SLV PULLER SHELL ASSM	79	4074732	K2SB198RL K3030C	89	5528282	Trackpad B4-25 PP Set	108
1012377	KS150W K3030C	90	2458379	KPF301 HYD EXTRACTOR WASHER	79	4074755	K2SB248R K3030C	89	5528283	Trackpad B5-26 PP Set	108
1012378	SS250WB2 K3560	84	2462675	201-301HYDRAULIC SLEEVE REMOVA	79	4074762	K2SB248L K3030C	89			
1012379	SS250WB4 K3560	84	2485456	KPF301 HYDRAULIC PULLER ROD	79	4074766	K2SB248 K3030C	89			
1013052	PLB1638L K3030C	85	2488006	KPF301 HYD.PULLER ROD & SLEEVE	79	4074768	K2SB145RL K3030C	89			
1013053	PLB1638R K3030C	85	2493215	TBCR3623	101	4074771	K2SB100 K3030C	89			
1013348	QC110HD BLOCK	59	2497314	KPF303-87 SLEEVE	54	4074786	RX5-01 K706	38			
1094015	CM61 K3055	38	2499665	KMD3120562M	106	4080539	CM51	25			
1196895	PLB485L K3030C	83	2508113	CB10 BLOCK	58	4131928	KB105BUL	100			
1196900	PLB365R K3030C	83	2539456	KB105B	100	4131929	KB120BUL	98, 100-102			
1254281	PLB125 K3030C	85	2539462	KPB1105472	100	4131931	KB140BUL	98-102			
1321008	CM6B	65	2539463	KPB2120500	98, 100, 102	4131986	KBP140UL	98			
1512919	KS850W K3030C	90	2539464	KPD3120562	101	4131988	KB160BUL	98-99, 101-102			
1588922	QC187HD	59	2539465	KPD4140625	98-99, 101-102	4131990	KB180BUL	99, 102			
1611554	PLB4114LHF K3030C	84	2539466	KPD4140625M	98-99, 101-102	4141522	DISCHARGE BELTB400S	115			
1611555	PLB4114RHF K3030C	84	2539467	KPD4140562	100	4141543	DISCHARGE BELTB400L	115			
1611564	PLB15NHF K3030C	86	2539468	KPD4160625	98, 101-102	4141544	DISCHARGE BELTB500	115			
1611566	PLB225HF K3030C	86	2539469	KPD4160625M	98, 101-102	4141545	LOADINGBELTB600S	115			
1611568	PLB118HF K3030C	85-86	2539470	KPD5160625	98, 101-102	4141547	LOADINGBELTB600	115			
1753351	RC2-02 K706	34	2539471	KPD5160625M	98, 101, 102	4141548	LOADINGBELTB600L	115			
1758083	RC3-01 K706	35	2539472	KPD5180625	98, 102	4141549	LOADINGBELTB650S	115			
1758412	RC3-02P K706	35	2539473	KPD5180625	99, 102	4141550	LOADINGBELTB800S	115			
1758414	RZ1-01P K706	26				4141551	DISCHARGE BELTB800	115			

Catalog No.	Page(s)	Catalog No.	Page(s)	Catalog No.	Page(s)	Catalog No.	Page(s)
201-301HYDRAULIC SLEEVE REMOVA	79	KB180B	99, 102	KPF400 BLOCK	56	RX3-01 K706	25
3044 EDGE CUTTER	93	KB180BUL	99, 102	KPL302 BASE	55	RX3-02 K706	24
3044 KICKER PLATE ASSEMBLY	94	KB250 K3055	48	KPR302 BASE	55	RX4-01 K706	25
3046 EDGE CUTTER	93	KB250ST	48	KSB100W K3030C	90	RX5-01 K706	25
3046 KICKER PLATE ASSEMBLY	94	KBB250 BLOCK	61	KSB150W K3030C	90	RZ1-01P K706	26
3048 EDGE CUTTER	93	KBP140	98	KSB50W K3030C	90	RZ1-01PSW K706	26
3048 KICKER PLATE ASSEMBLY	94	KBP140UL	98	LOADINGBELTB1000	115	RZ1-02 K706	26
AR150 87 K3055	47	KHP2 KMTL PUNCH	77	LOADINGBELTB1100	115	RZ1-PT K3560	32
AR150 87ST TOOTH	47	KHP3	77	LOADINGBELTB600L	115	RZ1-PT7 K706	32
AR30C BLOCK	61	KIT 1 AIR HAMMER	76	LOADINGBELTB600S	115	RZ2-01P K706	27
AR35 BLOCK	61	KIT 1HD AIR HAMMER	75	LOADINGBELTB650L	115	RZ2-02P K706	27
AR350ST	47	KM-IC1000FR-D	113	LOADINGBELTB650S	115	RZ2-03P K706	27
AR350T K3055	47	KM-IC1000FR-L	113	LOADINGBELTB800L	115	RZ3-01 K706	28
C10 BLOCK	64	KM-IC1000G	113	LOADINGBELTB800S	115	RZ3-01P K706	28
C10AM C10LG BASE	62	KM-IC1100FR-D	113	PLB118 K3030C	85-86	RZ3-02 K706	28
C10AMC BLOCK	62	KM-IC1100FR-L	113	PLB118HF K3030C	85-86	RZ3-02P K706	29
C10H BLOCK	64	KM-IC1100G	113	PLB125 K3030C	85	RZ3-PT K706	32
C10HD BLOCK	64	KM-IC600-G	113	PLB1555 K3030C	87	RZ34 K706	33
C10LG BLOCK	62	KM-IC600FR	113	PLB15N K3030C	86	RZ34P K706	33
C10RL BLOCK	62	KM-IC600G	113	PLB15NHF K3030C	86	RZ4-01 K706	29
C123/U50 HAMMER PULLER	79	KM-IC800-FR	113	PLB1638L K3030C	85	RZ4-02P K706	29
C21R RETAINER	80	KM-IC800-G	113	PLB1638R K3030C	85	RZ4-03 K706	30
C3RB BLOCK	64	KM-IC800FR	113	PLB1699 K3030C	87	RZ4-03P K706	30
C87 - G	63	KM-IC800G	113	PLB17 K3030C	85-86	RZ4-04	30
C87B	63	KM-ICGUIDEROLL	113	PLB17HF K3030C	85-86	RZ5-01 K706	31
C87HDS - G	63	KMB1105472	105	PLB225 K3030C	86	RZ5-02 K706	31
C87RL - G	62	KMB2120500	103-105	PLB225HF K3030C	86	SLB01 - G	63
CB10 BLOCK	58	KMB2140500	104	PLB305LHF K3030C	83	SPLB31L K3030C	83
CB10 PLASTIC CAP	58	KMD3120562	106	PLB32.62R K3030C	83	SPLB31R K3030C	83
CB10 RETAINING SCREW	58	KMD3120562M	106	PLB3438 K3030C	83	SS250WB2 K3560	84
CB10HD BLOCK	57	KMD4140562	105	PLB355L K3030C	87	SS250WB4 K3560	84
CB10HD PLASTIC CAP	57	KMD4140625	103-106	PLB36.00 K3030C	83	SZ1-01 K3560	44
CB10HD RETAINING SCREW	57	KMD4140625M	103, 105-106	PLB361 K3030C	83	SZ2-01 K706	44
CB10HD SEAL	57	KMD4160625	103-104	PLB365R K3030C	83	SZ3-01 K706	44
CB10HD-87 BLOCK	57	KMD4160625M	103, 106	PLB3962 K3030C	83	SZ4-01 K706	45
CM4 RETAINER	80	KMD4180625	105-106	PLB4114L K3030C	84	SZ5-01T K706	45
CM41 K3560	37	KMD4180625M	105-106	PLB4114LHF K3030C	84	SZ6-01T K706	45
CM42 K3560	37	KMD5140625	104-105	PLB4114R K3030C	84	TBCR1251	98-106
CM51	38	KMD5160625	103-104, 106	PLB4114RH K3030C	84	TBCR3570	98-99, 101-103, 105-106
CM61 K3055	38	KMD5160625M	103	PLB415R K3030C	87	TBCR3623	101
CM63 K706	39	KMD5200625	103	PLB421 K3030C	83	TBCR429	100, 105
CM64 K3560MH	39	KMD5200625M	103	PLB4288 K3030C	83	TBCR4595	101, 106
CM65 K706	40	KME7100500	105	PLB43 K3030C	84	TBFT694	100, 105
CM66 K3560MH	40	KPB1105472	100	PLB44RH K3030C	83	TBIN2760	98, 100, 102-105
CM6H RETAINER	80	KPB2120500	98, 100, 102	PLB4562 K3030C	83	TN205632SLN	98-102
CMB4 BLOCK	65	KPB2140625	98	PLB48.00 K3030C	83	TNCR1250	98-106
CMB5 BLOCK	65	KPD3120562	101	PLB485L K3030C	83	TNCR1968	100, 105
CMB6	65	KPD3120562M	101	PLB4912R K3030C	84	TNFT887	100, 105
CMB6-L	65	KPD3140562	101	POWERBELT3-5V1022/2596LA	117	TNIN1286	98, 100, 102-105
DISCHARGE BELTB1000L	115	KPD3140562M	101	POWERBELT3-5V1250-3175LA	117	TNIN1319	101, 106
DISCHARGE BELTB1000S	115	KPD4140562	100	POWERBELT4-5V1083/2750LA	117	Track Chain B1-20	108
DISCHARGE BELTB1100	115	KPD4140625	98-99, 101-102	POWERBELT4-5V1097/2786LA	118	Track Chain B1-20 complete PP	109
DISCHARGE BELTB400L	115	KPD4140625M	98-99, 101-102	POWERBELT4-5V1170/2972LA	118	Track Chain B1-20 complete ST	109
DISCHARGE BELTB400S	115	KPD4160625	98, 101-102	POWERBELT4-5V1250/3175LA	117	Track Chain B1-24	108
DISCHARGE BELTB500	115	KPD4160625M	98, 101-102	POWERBELT4-5V1720/4368LA	117	Track Chain B1-24 complete PP	109
DISCHARGE BELTB600	115	KPD5140625	99-100	POWERBELT4-5V1800/4572LA	117	Track Chain B1-24 complete ST	109
DISCHARGE BELTB800	115	KPD5160625	98-99, 102	POWERBELT4-5V1998/5074LA	117	Track Chain B3-23	108
ECO PULLER	79	KPD5160625M	98, 102	POWERBELT5-5V1134/2880LA	117	Track Chain B3-23 complete PP	109
K1SB-100 K3030C	88-89	KPD5180625	99, 102	POWERBELT5-5V1338/3398LA	118	Track Chain B3-23 complete ST	109
K1SB-145 K3030C	89	KPD5180625M	99, 102	POWERBELT5-5V1600/4064LA	117	Track Chain B4-24	108
K1SB-145L K3030C	89	KPF XTRACTOR	78	POWERBELT5-5V1650/4190LA	117	Track Chain B4-24 complete ST	109
K1SB-145R K3030C	89	KPF-INSTL BIT	77	POWERBELT5-5V2120/5385LA	117	Track Chain B4-25	108
K1SB-197R K3030C	88-89	KPF200 R BUSHING	56	POWERBELT5-5V2244/5700LA	118	Track Chain B4-25 complete ST	109
K1SB-248 K3030C	88-89	KPF201 BLOCK	56	POWERBELT6-3VX560/1422LA	117	Track Chain B5-26	108
K1SB-248L K3030C	88-89	KPF201 SLEEVE PULLER ASSEMBLY	81	POWERBELT6-5V2244/5700LA	118	Track Chain B5-26 complete ST	109
K1SB-248R K3030C	88-89	KPF300 SLV PULLER SHELL ASSM	79	QC100 BASE ASSEMBLY	59	Trackpad B1-20 PP Set	108
K2SB100 K3030C	89	KPF300AHP 1HD	75	QC110 87 HOLDER	60	Trackpad B1-20 ST Set	108
K2SB145RL K3030C	89	KPF300AHP1	76	QC110 B BLOCK BASE	60	Trackpad B1-24 PP Set	108
K2SB198RL K3030C	89	KPF300CH REMOVAL TOOL	76	QC110H HOLDER	60	Trackpad B1-24 ST Set	108
K2SB248 K3030C	89	KPF300HP	77	QC110HD BLOCK	59	Trackpad B3-23 PP Set	108
K2SB248L K3030C	89	KPF301 BASE	55	QC110HDG	59	Trackpad B3-23 ST Set	108
K2SB248R K3030C	89	KPF301 FLEX DRILL ASSEMBLY	81	QC187HD	59	Trackpad B4-24 PP Set	108
KAHP 1 AIR HAMMER PUNCH	76	KPF301 HYD EXTRACTOR WASHER	79	RC1-01P K706	34	Trackpad B4-24 ST Set	108
KAHP 1HD AIRHAMMER PUNCH	75	KPF301 HYD. PULLER ROD & SLEEVE	79	RC2-01P K706	34	Trackpad B4-25 PP Set	108
KB105B	100	KPF301 HYDRAULIC PULLER ROD	79	RC2-02 K706	34	Trackpad B4-25 ST Set	108
KB105BUL	100	KPF301 LGP WEDGE PULLER	78	RC3-01 K706	35	Trackpad B5-26 PP Set	108
KB120B	98, 100-102	KPF301 SHP WEDGE PULLER	78	RC3-02P K706	35	Trackpad B5-26 ST Set	108
KB120BUL	98, 100-102	KPF301-302 SLEEVE REMOVAL ASSM	81	RC4-01 K706	36	U70 PAD COATED PULLER	78
KB140B	98-102	KPF303-87 SLEEVE	54	RC5-01 K706	36		
KB140BUL	98-102	KPF303R	54	RP BIT PULLER ASSEMBLY	79		
KB160B	98-99, 101-102	KPF303RX	54	RX1-01 K706	24		
KB160BUL	98-99, 101-102	KPF400 BASE ASSMBLY	56	RX2-01 K706	24		


**Index**



**Argentina**

Phone: 54.11.4719.0700

Fax: 54.11.4719.6116

**Australia/New Zealand**

Phone: 61.7.3801.5844

Fax: 61.7.3801.5826

k-sydn.service@kennametal.com

**Brazil/Latin America**

Phone: 55.19.3936.9200

Fax: 55.19.3936.9201

bra.marketing@kennametal.com

**Chile**

Phone: 56.2.2641177

Fax: 001.888.442.4964

**China**

Phone: 86.400.650.1388

Fax: 86.10.8561.5263

k-cn-earthwork.service@kennametal.com

**Germany/European Served Area**

Phone: 49.6172.737.498

Fax: 49.6172.737.42.453

mcs-ag.service@kennametal.com

**India**

Phone: 91 80 43281444

Phone: 91.80.2219.8444

Fax: 91.80.2839.1300

bangalore.information@kennametal.com

**Japan**

Phone: 81.3.3820.2855

Fax: 81.3.3820.2800

k-jp.service@kennametal.com

**Korea**

Phone: 82.2.2109.6100

Fax: 82.2.2109.6981

**Malaysia**

Phone: 6.03.5569.9080

Fax: 6.03.5569.0080

**Poland/Slovakia/Baltics**

Phone: 48.61.665.6520

Fax: 48.61.665.6521

zory.orders@kennametal.com

**South Africa/Sub Saharan Area**

Phone: 27.11397.3540

Fax: 27.11397.3222

**Singapore/Vietnam/  
Philippines/Indonesia**

Phone: 65.6265.9222

Fax: 65.6861.0922

k-sg.sales@kennametal.com

**Thailand**

Phone: 66.2642.3455

Fax: 66.2641.2736-8

**United States/Canada/Mexico**

Phone: 800.458.3608

Fax: 800.521.3319

mcs-na.service@kennametal.com

Kennametal, the stylized K, KenCast, RoadRazor, RoadRazor II, RoadRazor ECO, and SOLID are trademarks of Kennametal, Inc. and are used as such herein. The absence of a product, service name, or logo from this list does not constitute a waiver of Kennametal's trademark or other intellectual property rights concerning that name or logo.

Bitelli™ is a trademark of Caterpillar Inc.; Caterpillar® is a registered trademark of Caterpillar Inc.; CMI™ is a trademark of Terex Corporation.; CUSHOTRAC™ is a trademark of Superior Tire and Rubber Corporation; Dynapac™ is a trademark of Dynapac International.; Ingersoll-Rand™ is a trademark of Ingersoll-Rand Company Corporation.; iPad™ is a trademark of Apple Inc., registered in the U.S. and other countries.; iTunes® is a trademark of Apple Inc., registered in the U.S. and other countries.; Roadtec™ is a trademark of Astec Industries, Inc.; Terex® is a registered trademark of Terex Corporation.; Wirtgen™ is a trademark of Wirtgen GmbH.

**WORLD HEADQUARTERS**

**Kennametal Inc.**

1600 Technology Way

Latrobe, PA 15650

USA

Tel: 800.446.7738 (United States and Canada)

E-mail: [ftmill.service@kennametal.com](mailto:ftmill.service@kennametal.com)

**EUROPEAN HEADQUARTERS**

**Kennametal Europe GmbH**

Rheingoldstrasse 50

CH 8212 Neuhausen am Rheinfall

Switzerland

Tel: 41.52.6750.100

E-mail: [neuhausen.info@kennametal.com](mailto:neuhausen.info@kennametal.com)

**ASIA-PACIFIC HEADQUARTERS**

**Kennametal (Singapore) Pte. Ltd.**

3A International Business Park

Unit #01-02/03/05, ICON@IBP

Singapore 609935

Tel: 65.6265.9222

E-mail: [k-sg.sales@kennametal.com](mailto:k-sg.sales@kennametal.com)

**INDIA HEADQUARTERS**

**Kennametal India Limited**

8/9th Mile, Tumkur Road

Bangalore - 560 073

Tel: 91 80 43281444

E-mail: [bangalore.information@kennametal.com](mailto:bangalore.information@kennametal.com)



Kennametal Inc.

1600 Technology Way

Latrobe, PA 15650

USA

[www.kennametal.com](http://www.kennametal.com)