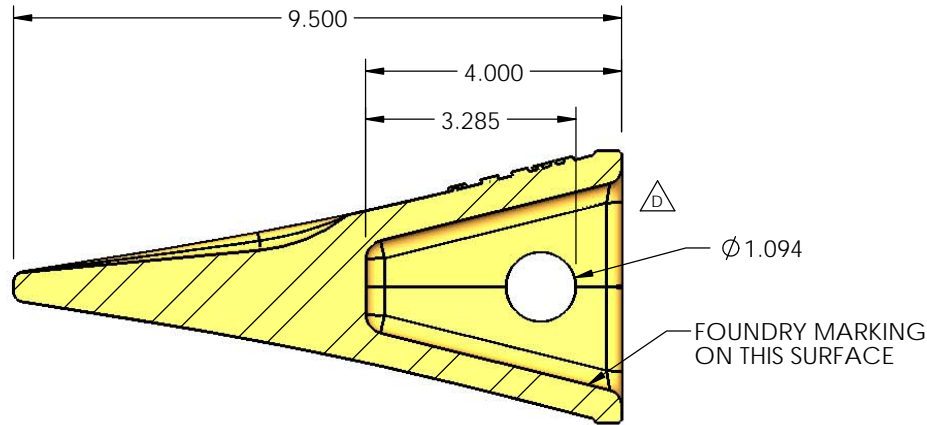
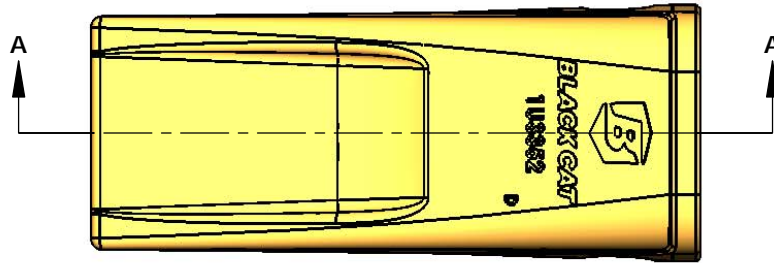
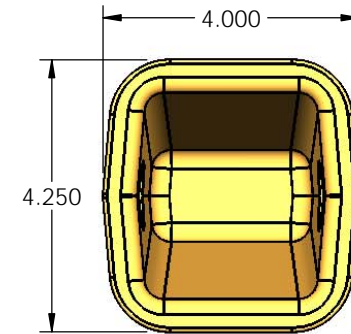


REV.	DESCRIPTION	DATE	DWN	APP
D-	REVISED POCKET	JAN. 27/14	LC	RF
D1	UPDATED POCKET	APR. 11/14	LC	RF
D2	UPDATED TEMPLATE AND LOGO	FEB. 6/17	CB	LC



SECTION A-A



NOTE(S):
 1. PREFERRED PLACEMENT OF LOGOS, PART NUMBERS, AND FOUNDRY MARKING SHOWN. DEVIATION ACCEPTABLE AS APPROVED BY BLACK CAT.

WT: 13.3 lb. [6.0 kg]		COPYRIGHT AND DESIGN RIGHTS ARISING FROM THIS DRAWING ARE THE EXCLUSIVE PROPERTY OF BLACK CAT BLADES LTD. REPRODUCTION OF ALL OR PART OF THIS DRAWING, EITHER DIRECTLY OR INDIRECTLY, OR ITS DISCLOSURE TO ANY THIRD PARTY IS PROHIBITED.		BLACK CAT	
MAT: BC510		DIMENSIONS W/O TOL ARE REF GEOMETRY S/B OBTAINED FROM CAD FILE			
GAUGE: J350		THIRD ANGLE PROJECTION		CAST TOOTH	
UNITS: IN	SCALE: NTS	PART REV: D	DWG REV: 2		
DATE: OCT. 20/04		CAT 1U3352		DWG #:	
DWN: NM	APP: TM			C00043	