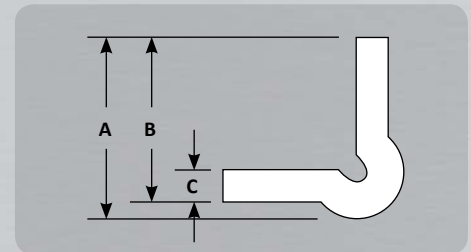




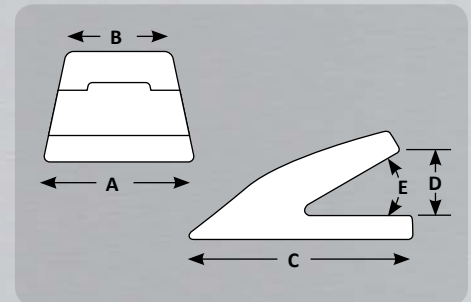
**Corner Protectors**

Part #	Description	Weight	Length	A	B	C
CG24-5	Round Edge	31.5 lbs	24"	3.88"	3.50"	0.63"
CG36-6	Square Edge	67.8 lbs	36"	4.13"	3.63"	0.75"



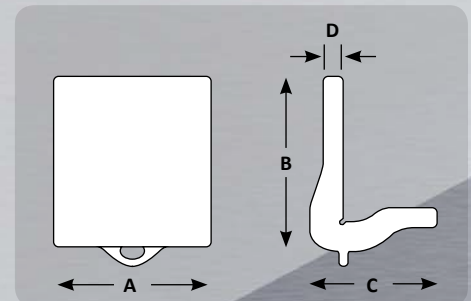
**Weld On Lip Shrouds**

Part #	Description	Weight	A	B	C	D	E
10WS	Weld On Lip Shroud	19.6 lbs	10.00"	7.00"	7.38"	1.50"	30°
13WS	Weld On Lip Shroud	40.7 lbs	13.00"	10.00"	10.25"	1.75"	23°
WS25	Weld On Lip Shroud	4.0 lbs	2.50"	2.50"	4.88"	1.75"	22°
WS45	Weld On Lip Shroud	14.2 lbs	4.50"	4.50"	7.17"	2.09"	30°
WS80	Weld On Lip Shroud	33.4 lbs	8.00"	7.00"	8.57"	2.79"	30°
4ML50UC	Weld On Lip Shroud	14.6 lbs	5.59"	5.15"	8.12"	1.38"	30°
4ML70UC	Weld On Lip Shroud	45.3 lbs	9.47"	8.93"	9.49"	2.38"	30°



**Weld On Heel Shrouds**

Part #	Description	Weight	A	B	C	D
138 6551	Heel Shroud - Curved	26.9 lbs	6.88"	8.13"	5.88"	1.00"
138 6529	Heel Shroud - Straight	29.6 lbs	6.88"	8.13"	5.88"	1.00"
157 1027	Heel Shroud - Curved	59.3 lbs	9.81"	10.63"	7.88"	1.19"
157 1019	Heel Shroud	65.1 lbs	9.81"	10.63"	7.88"	1.19"
280 4078	Heel Shroud - Straight	10.8 lbs	4.70"	5.90"	4.30"	0.79"
280 4079	Heel Shroud - Curved	9.3 lbs	4.70"	5.90"	4.30"	0.79"
ES6697-2	Heel Shroud- Curved	45.9 lbs	7.49"	9.91"	6.00"	2.30"
ES6697-3	Heel Shroud- Curved	29.9 lbs	7.49"	7.00"	4.00"	1.24"
ES6697-4	Heel Shroud- Curved	22.4 lbs	7.49"	7.00"	4.00"	1.24"
ES6697-5	Heel Shroud- Curved	87.5 lbs	9.99"	12.00"	8.00"	2.00"
ES6697-7	Heel Shroud	189.5 lbs	9.84"	13.70"	9.88"	3.94"



920.0816

ACCESSORIES



www.BlackCatWearParts.com sales@blackcatwearparts.com Toll Free: 1.800.661.6666 T: 780.465.6666 F: 780.465.9595

Caterpillar® and other identities and/or trademarks referred to in this publication are the registered marks of the entities noted herein. The use of any trademarks of others than Black Cat Blades Ltd. are solely and exclusively for identification, informational, comparative, and descriptive purposes. Black Cat Blades Ltd. is not affiliated with any owner of such registered marks and does not make, use, or sell any products manufactured by any such entity identified in this publication.